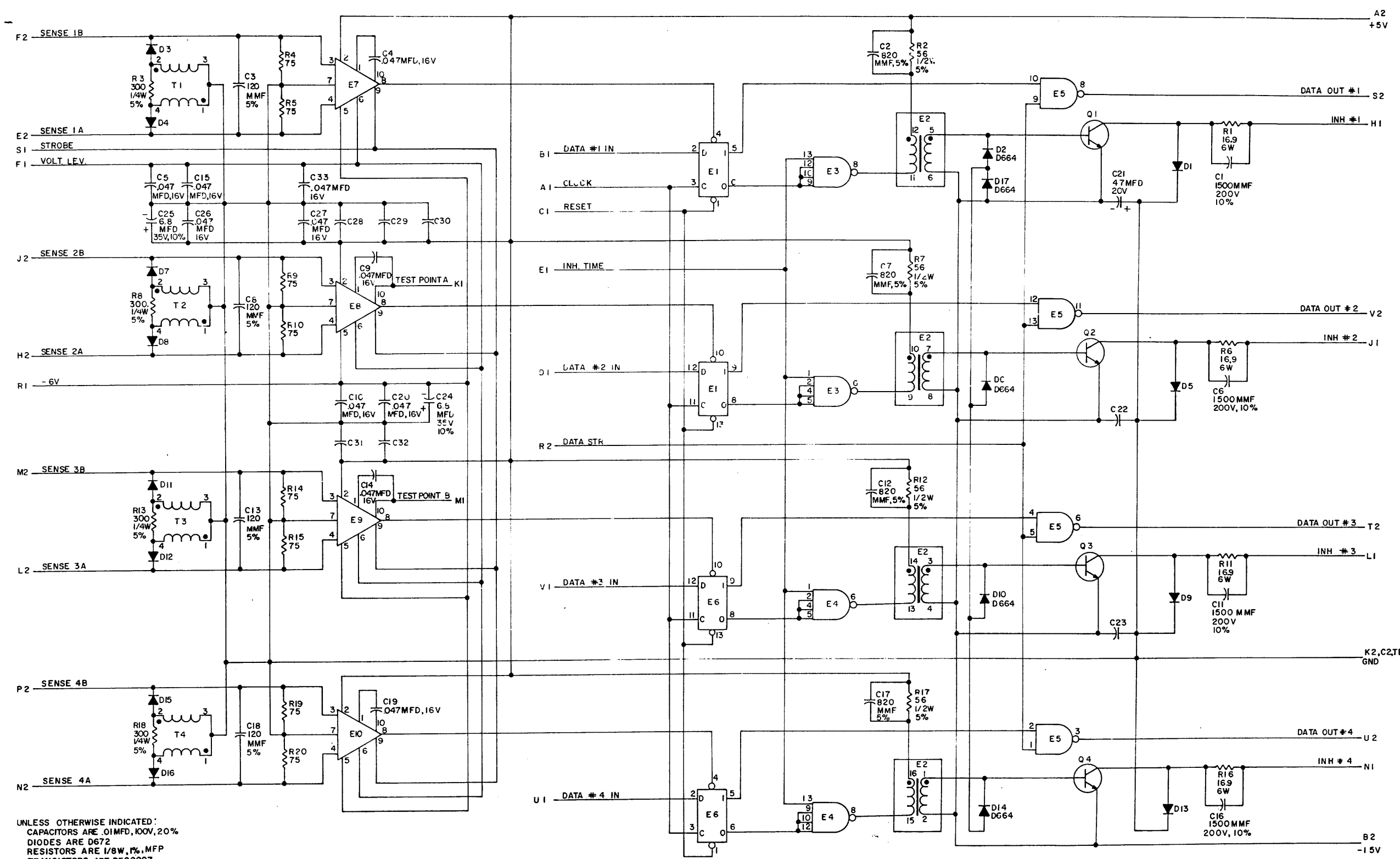


THIS SCHEMATIC IS PROVIDED ONLY FOR TEST AND REPAIR PURPOSES. THE ORIGINAL AND AUTHORITY IS SOURCE AND SHOULD BE TREATED ACCORDINGLY. COPYRIGHT 1969 BY BORN, EQUIPMENT CORPORATION



UNLESS OTHERWISE INDICATED:
 CAPACITORS ARE .01MFD, 100V, 20%
 DIODES ARE D672
 RESISTORS ARE 1/8W, 1%, MFP
 TRANSISTORS ARE DEC2007
 TRANSFORMERS ARE 17Z5
 PIN 7 ON E1, E3-E6 = GND
 PIN 14 ON E1, E3-E6 = +5V
 E1, E6 = ARE DEC7474
 E2 IS A DUAL IN LINE PACK XMFR-16-09996-0
 E3, E4 ARE DEC74H40
 E5 IS DEC74H01
 E7-E10 ARE MC1540
 CAPACITORS C2-C7, C12 AND C17
 ARE AND MUST BE SINGLE DIP

REV	DATE	BY	CHKD
1	11/1/69
2	11/1/69
3	11/1/69

TRANSISTOR & DIODE CONVERSION CHART			
DEC	GA	DEC	GA
D664	1N3605		
D672	1N3653		
2N3734	1N3653		

digit

EQUIPMENT CORPORATION

TITLE: SENSE INHIBIT-CARD G102
 REV: 0
 CODE: CS
 NUMBER: 6102-0-1
 DATE: 11/1/69
 DRAWN: PINK

P 13 6102-0-1