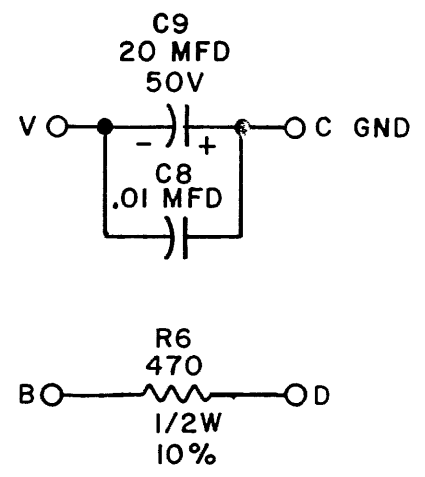
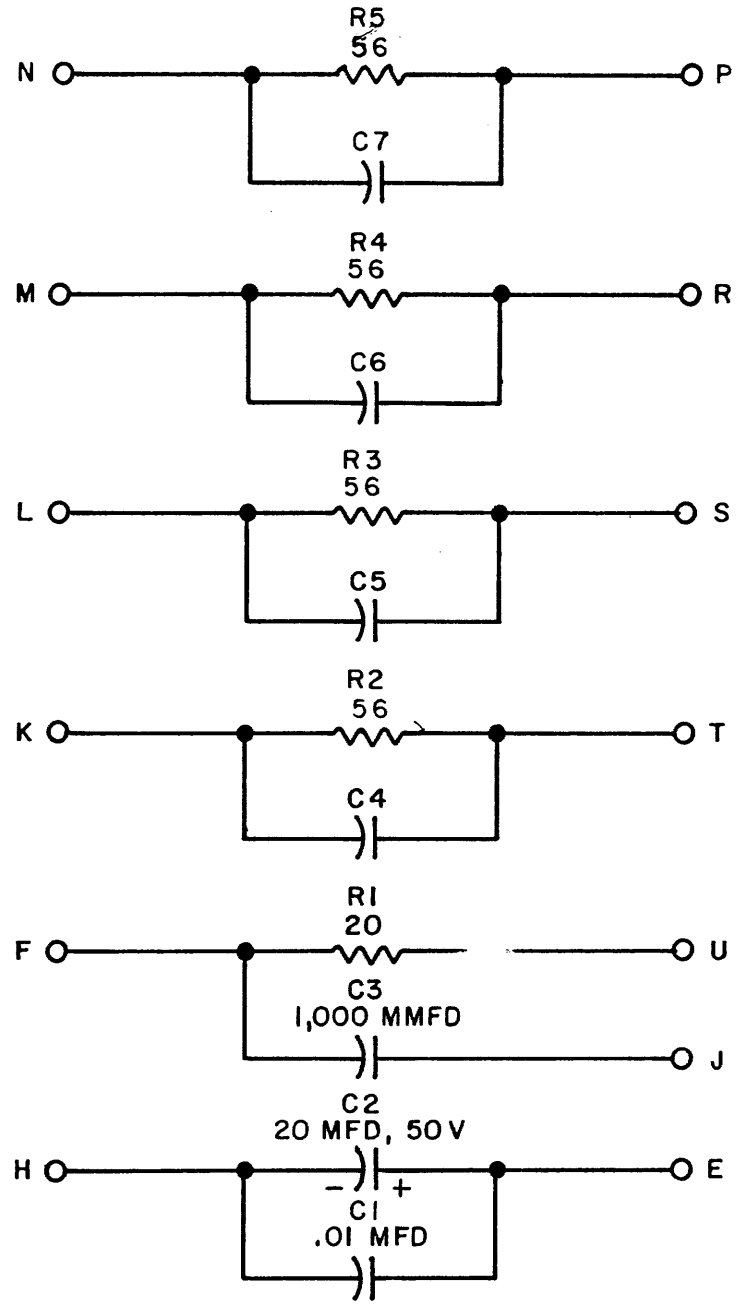


THIS SCHEMATIC IS FURNISHED ONLY FOR TEST AND MAINTENANCE PURPOSES. THE CIRCUITS ARE PROPRIETARY IN NATURE AND SHOULD BE TREATED ACCORDINGLY. COPYRIGHT 1967 BY DIGITAL EQUIPMENT CORPORATION

REV. D
NUMBER 1-0-4299
SIZE CODE B CS



UNLESS OTHERWISE INDICATED:
CAPACITORS ARE 680 MMFD
RESISTORS ARE 10W, 1%, LOW INDUCTANCE



REVISIONS	CHK	CHG NO.	REV.
		6442	A
		6561	B
		6709	C
		00001	D

DRN. <i>M. Haller</i>	DATE 5-24-67
CHK'D <i>T. J. ...</i>	DATE 5/24/67
ENG. <i>T. J. ...</i>	DATE 5/24/67
PROD.	DATE

TRANSISTOR & DIODE CONVERSION CHART			
DEC	EIA	DEC	EIA

digital
EQUIPMENT CORPORATION
MAYNARD, MASSACHUSETTS

TITLE RESISTOR BOARD G624			
SIZE B	CODE CS	NUMBER G624-0-1	REV. D
PRINTED CIRCUIT REV.			C