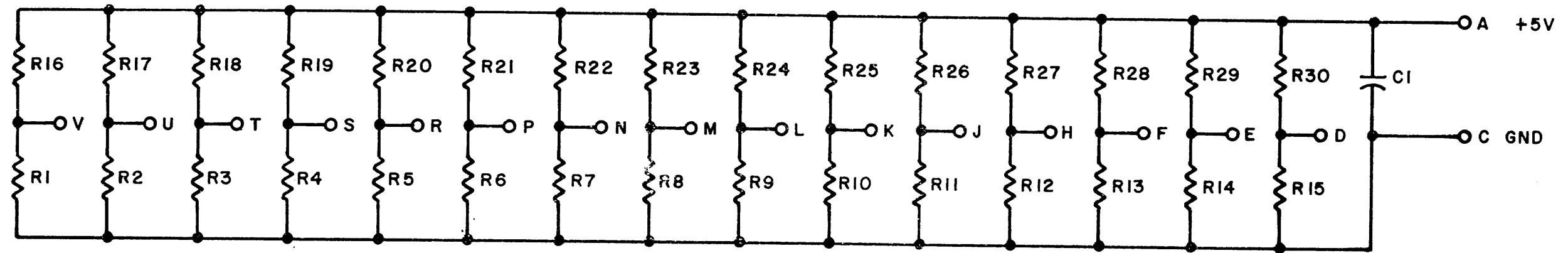


THIS SCHEMATIC IS FURNISHED ONLY FOR TEST AND MAINTENANCE PURPOSES. THE CIRCUITS ARE PROPRIETARY IN NATURE AND SHOULD BE TREATED ACCORDINGLY. COPYRIGHT 1968 BY DIGITAL EQUIPMENT CORPORATION



 <----->
 <----->

R16 - R30	RES. 1.8K 1/4W 10% CC	1301428
R1 - R15	RES. 3.3K 1/4W 5% CC	1300439
C1	CAP. .01MFD 100V 20% DISC	1001610
	PARTS LIST	A-PL-M002-0-0
REFERENCE DESIGNATION	DESCRIPTION	PART NO.

REVISIONS CHK CHG NO. REV.	DRN.	DATE	TRANSISTOR & DIODE CONVERSION CHART				digital EQUIPMENT CORPORATION MAYNARD, MASSACHUSETTS	TITLE			
	<i>m. Walker</i>	6-21-68	DEC	EIA	DEC	EIA		15 LOADS M002			
	CHK'D	DATE						SIZE	CODE	NUMBER	REV.
	<i>m. Mullen</i>	6/21/68						B	CS	M002-0-1	
ENG.	DATE					PRINTED CIRCUIT REV.					
<i>White</i>	7/8/68					A					
PROD.	DATE										