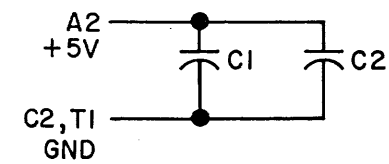
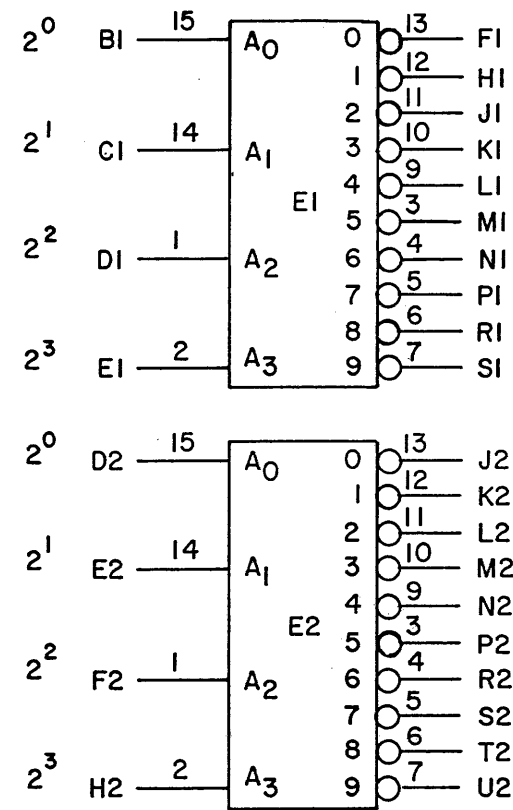


THIS SCHEMATIC IS FURNISHED ONLY FOR TEST AND MAINTENANCE PURPOSES. THE CIRCUITS ARE PROPRIETARY IN NATURE AND SHOULD BE TREATED ACCORDINGLY. COPYRIGHT 1969 BY DIGITAL EQUIPMENT CORPORATION



UNLESS OTHERWISE INDICATED:  
 PIN 8 ON EACH IC = GND  
 PIN 16 ON EACH IC = +5V  
 EI AND E2 ARE FAIRCHILD 9301  
 CAPACITORS ARE .01MFD

REVISIONS CHK CHG NO. REV. 00001 A	DRN. BUTLER	DATE 7/29/69	TRANSISTOR & DIODE CONVERSION CHART				 EQUIPMENT CORPORATION MAYNARD, MASSACHUSETTS	TITLE DUAL BINARY TO DECIMAL DECODER M163			
	CHK'D [Signature]	DATE 8/24/69	DEC	EIA	DEC	EIA		SIZE B	CODE CS	NUMBER M163-0-1	REV. A
	ENG. [Signature]	DATE Oct 7, 69									
	PROD.	DATE									
							PRINTED CIRCUIT REV. A				