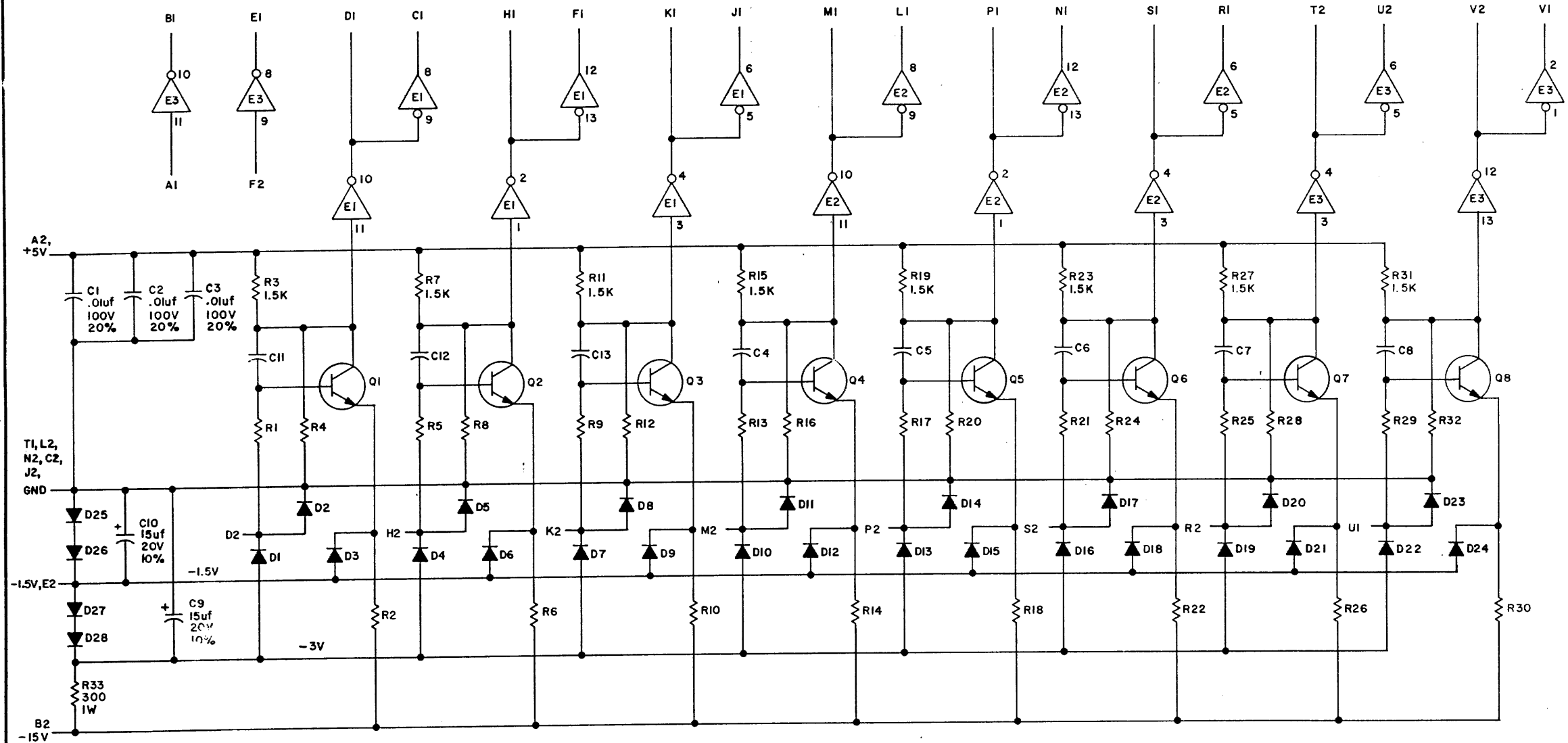


THIS SCHEMATIC IS FURNISHED ONLY FOR TEST AND MAINTENANCE PURPOSES. THE CIRCUITS ARE PROPRIETARY IN NATURE AND SHOULD BE TREATED ACCORDINGLY. COPYRIGHT 1970 BY DIGITAL EQUIPMENT CORPORATION



UNLESS OTHERWISE INDICATED:  
 RESISTORS ARE 3K, 1/4W, 5%  
 DIODES ARE D664  
 CAPACITORS ARE 150 pf, 100V, 5%  
 TRANSISTORS ARE DEC3009B  
 IC'S ARE DEC7404

REV. A  
 NUMBER M531-0-1  
 SIZE CODE C CS

REV.	NO.	REV.
1	00001	A

DEC FORM NO. DRC 102

DRN. Nancy Moore	DATE 9/5/70
CHK'D R. Williams	DATE
ENG. J. Kelly	DATE 4/8/70
PRD. D. Wall	DATE 6/9/70

TRANSISTOR & DIODE CONVERSION CHART			
DEC	EIA	DEC	EIA
DEC3009B	2N3009		
D664	IN3606		



TITLE NEGATIVE BUS CONVERTER			
SIZE C	CODE CS	NUMBER M531-0-1	REV. A
PRINTED CIRCUIT REV. A			

Dist. 304 434 435 5 rk