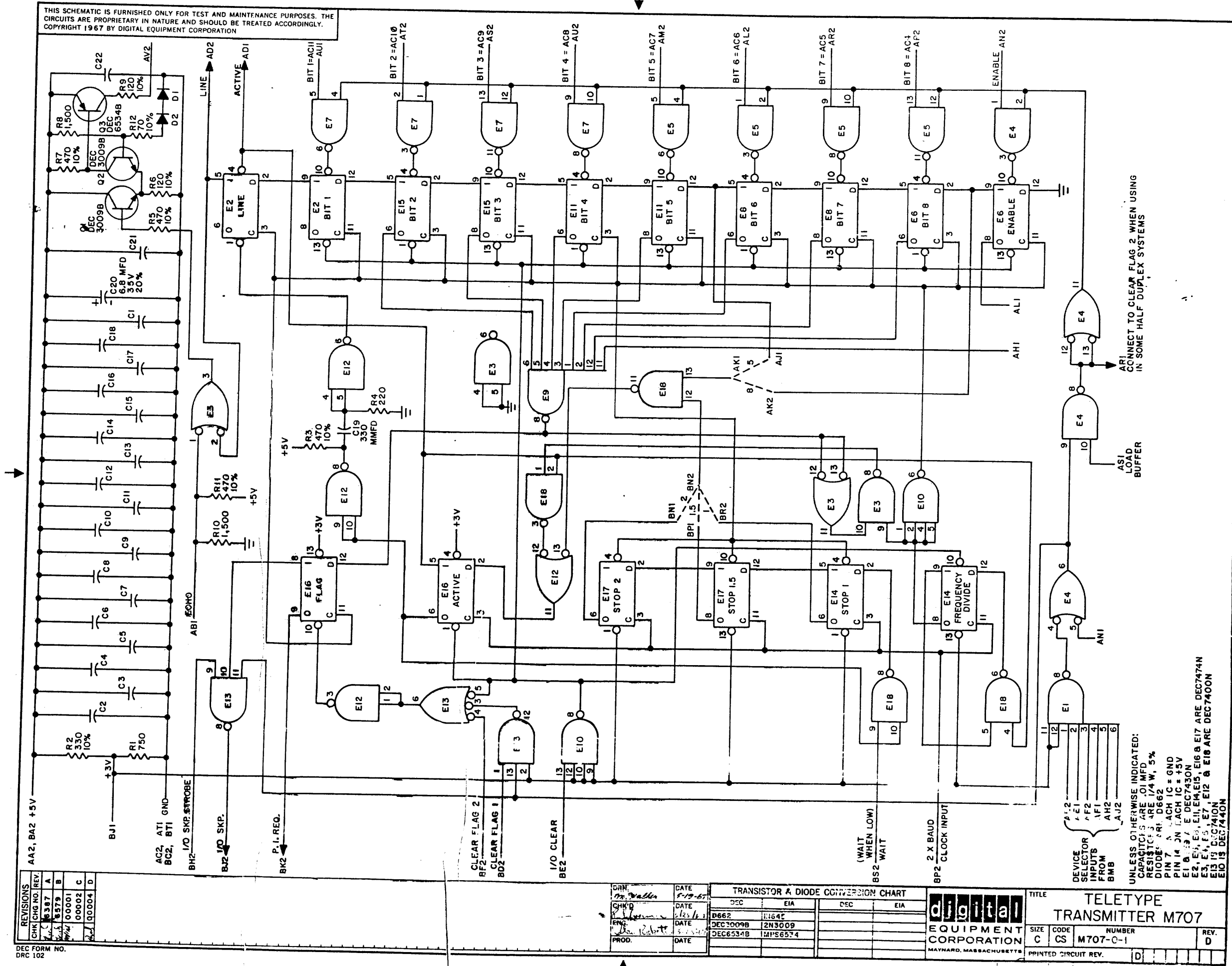


THIS SCHEMATIC IS FURNISHED ONLY FOR TEST AND MAINTENANCE PURPOSES. THE CIRCUITS ARE PROPRIETARY IN NATURE AND SHOULD BE TREATED ACCORDINGLY. COPYRIGHT 1967 BY DIGITAL EQUIPMENT CORPORATION



CONNECT TO CLEAR FLAG 2 WHEN USING IN SOME HALF DUPLEX SYSTEMS

ASI LOAD BUFFER

ASI

UNLESS OTHERWISE INDICATED:
 CAPACITORS ARE .01MFD
 RESISTORS ARE 1/4W, 5%
 DIODES ARE D662
 PIN 7 ON EACH IC = GND
 PIN 14 ON EACH IC = +5V
 E1, E2, E3, E4, E5, E6, E7, E8, E9, E10, E11, E12, E13, E14, E15, E16, E17, E18 ARE DEC7400N
 E19 IS DEC7410N
 E20 IS DEC7440N

REV.	CHG NO.	REV.
A	1	1967
B	2	1973
C	3	00002
D	4	00004

DEC FORM NO. DRC 102

DRM	DATE	TRANSISTOR & DIODE CONVERSION CHART	
DR	1-19-67	DEC	EIA
CHK'D	1/23/67	D662	1N542
ENG	1/23/67	DEC3009B	2N3009
PROD.		DEC6534B	MPS6534

digital
 EQUIPMENT CORPORATION
 MAYNARD, MASSACHUSETTS

TITLE
TELETYPE TRANSMITTER M707
 SIZE CODE NUMBER
 C CS M707-0-1
 PRINTED CIRCUIT REV. D

SIZE CODE NUMBER REV. D
 C CS M707-0-1