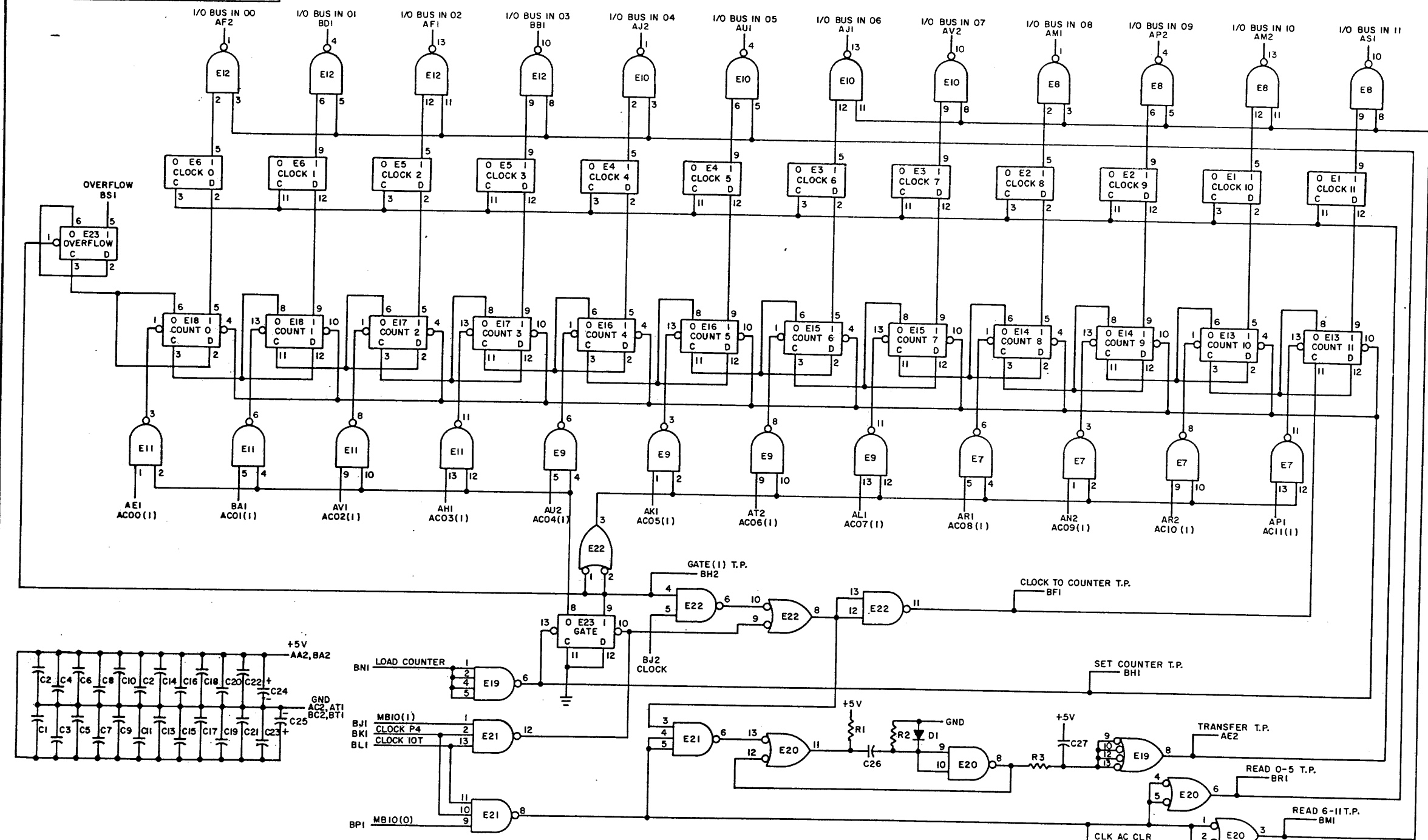


THIS SCHEMATIC IS FURNISHED ONLY FOR TEST AND MAINTENANCE PURPOSES. THE CIRCUITS ARE PROPRIETARY IN NATURE AND SHOULD BE TREATED ACCORDINGLY. COPYRIGHT 1968 BY DIGITAL EQUIPMENT CORPORATION.



NOTES:  
PIN 7 ON EACH IC = GND  
PIN 14 ON EACH IC = +5V

REF. DESIGNATION	DESCRIPTION	PART NO.
E19	INTEGRATED CKT. DEC7440N	1905579
E21	INTEGRATED CKT. DEC7410N	1905576
E7, E9, E11, E20, E22	INTEGRATED CKT. DEC7400N	1905575
E1-E6, E13-E18, E23	INTEGRATED CKT. DEC7474N	1905547
E8, E10, E12	INTEGRATED CKT. DEC7401N	1905590
R1	RES. 470 1/4W 5% CC	1300316
R2	RES. 220 1/4W 5% CC	1300271
R3	RES. 100 1/4W 5% CC	1300229
D1	DIODE D664	1100114
C27	CAP. 220MMF 100V 5% D.M.	1000021
C26	CAP. 470MMF 100V 5% MICA	1000024
C24, C25	CAP. 6.8MFD 35V 20% S. TANT	1000067
C1-C23	CAP. .01MFD 100V 20% DISC	1001610
PARTS LIST		
REFERENCE DESIGNATION		
DESCRIPTION		
PART NO.		

REVISIONS	DATE	BY	CHK'D	DATE	BY
1	12-18-68				
2	1/11/69				
3	4/11/69				

TRANSISTOR & DIODE CONVERSION CHART			
DATE	DEC	EIA	DEC
12-18-68	D664	IN 3606	
1/11-69			
4/11-69			

**digital**  
EQUIPMENT CORPORATION  
MAYNARD, MASSACHUSETTS

**CLOCK COUNTER M709**

SIZE CODE NUMBER  
D CS M709-0-1  
REV. A

PRINTED CIRCUIT REV. B