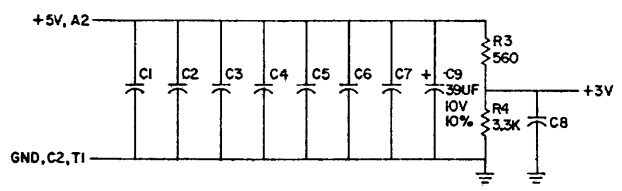
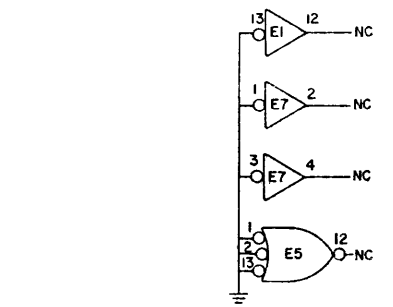
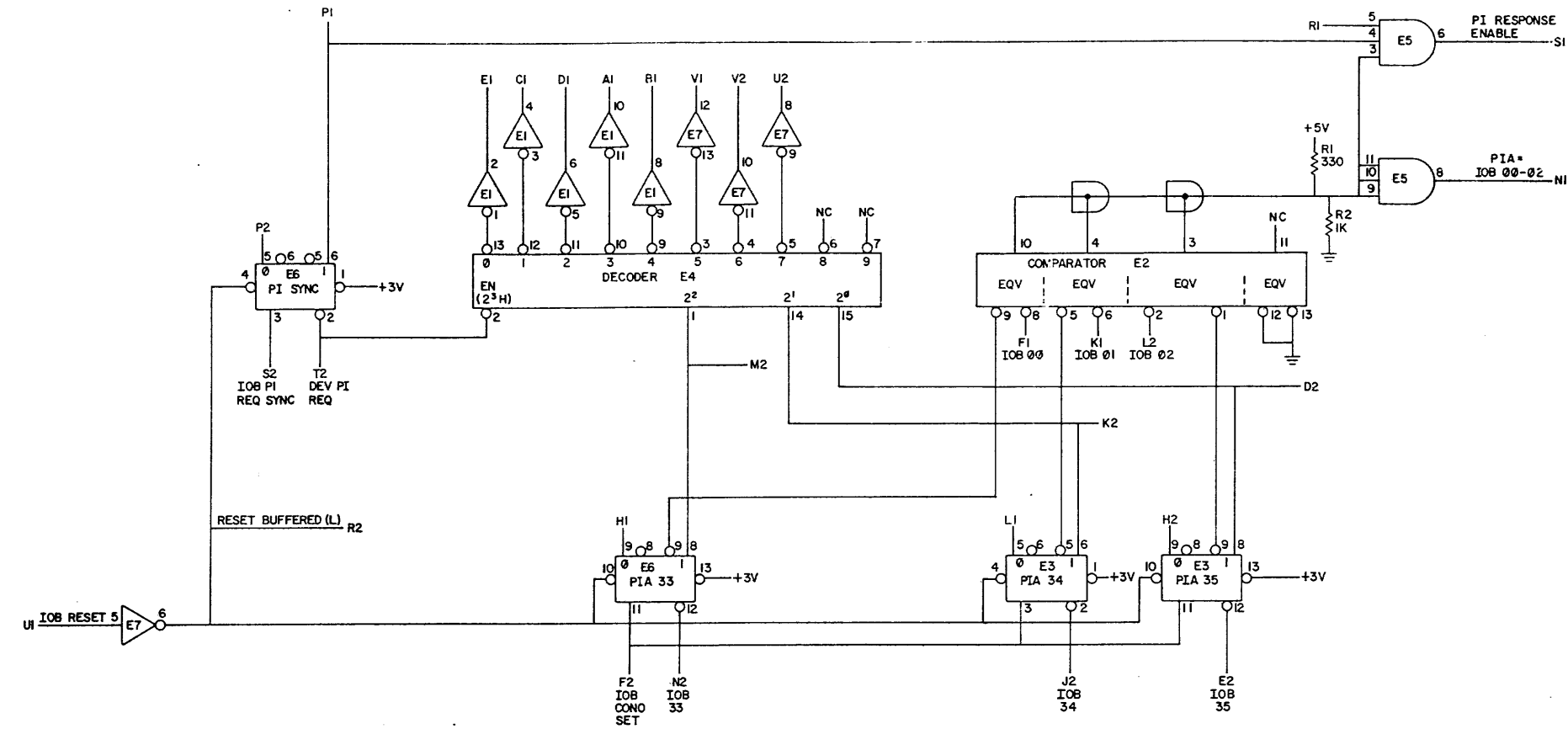
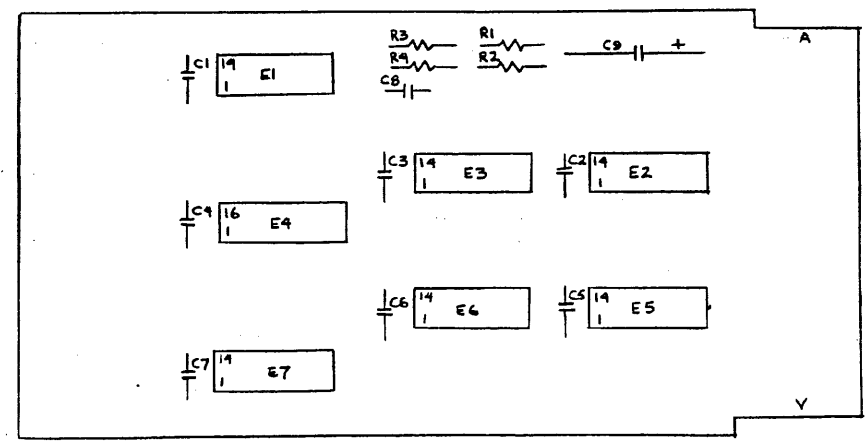


THIS SCHEMATIC IS FURNISHED ONLY FOR TEST AND MAINTENANCE PURPOSES. THE CIRCUITS ARE PROPRIETARY IN NATURE AND SHOULD BE TREATED ACCORDINGLY. COPYRIGHT 1970 BY DIGITAL EQUIPMENT CORPORATION



UNLESS OTHERWISE INDICATED:
 E1, E7 = DEC1074H04
 E5 = DEC1074H11
 E4 = DEC8251
 E2 = DEC8242
 E3, E6 = DEC1074H74
 PIN 7 = GND ON E1-E3, E5-E7
 PIN 14 = +5V
 PIN 8 = GND ON E4
 PIN 16 = +5V
 CAPACITORS = .01UF, 100V, 20%
 RESISTORS = 1/4W, 5%



REF. NO.	QTY.	DESCRIPTION	
17	1	9008337-06 HANDLE, FLIP CHIP - M8251A	
16	2	9006732 EYELET 8GE 4-7	
15	2	1910463 I.C. DEC1074H04	
14	1	1909712 I.C. DEC 8242	
13	2	1910558 I.C. DEC1074H74	
12	1	1909594 I.C. DEC 8251	
11	1	1910465 I.C. DEC1074H11	
10	1	1301890 RES. 560, 1/4W, 5%	
9	1	1300439 R.S. 3.3K, 1/4W, 5%	
8	1	1300365 RES. 1K, 1/4W, 5%	
7	1	1300295 RES. 330, 1/4W, 5%	
6	1	1001610 CAP. .01UF, 100V, 20%	
5	1	1000076 CAP. .39UF, 10V, 10% S. TANT	
4	1	5009374 ETCHED CIRCUIT BOARD	
3	1	B-MH-M7100-0-6 MODULE ECO HISTORY	
2	1	C-AR-M7100-0-5 ASSY/DRILLING HOLE LAYOUT	
1	1	K-CG-M7100-0-4 X-Y COORDINATE HOLE LOCATION	
DEC PART NO.		DESCRIPTION	QTY.

REV. 1	DATE 12/19/70	TRANSISTOR & DIODE CONVERSION CHART		TITLE IO DEVICE CONTROL M7100
DESIGNED BY V. J. WATSON	DATE 3-10-71	DEC		DEC
CHECKED BY S. WATSON	DATE 3-10-71			
DATE 3-10-71				

REV. 1 DATE 12/19/70