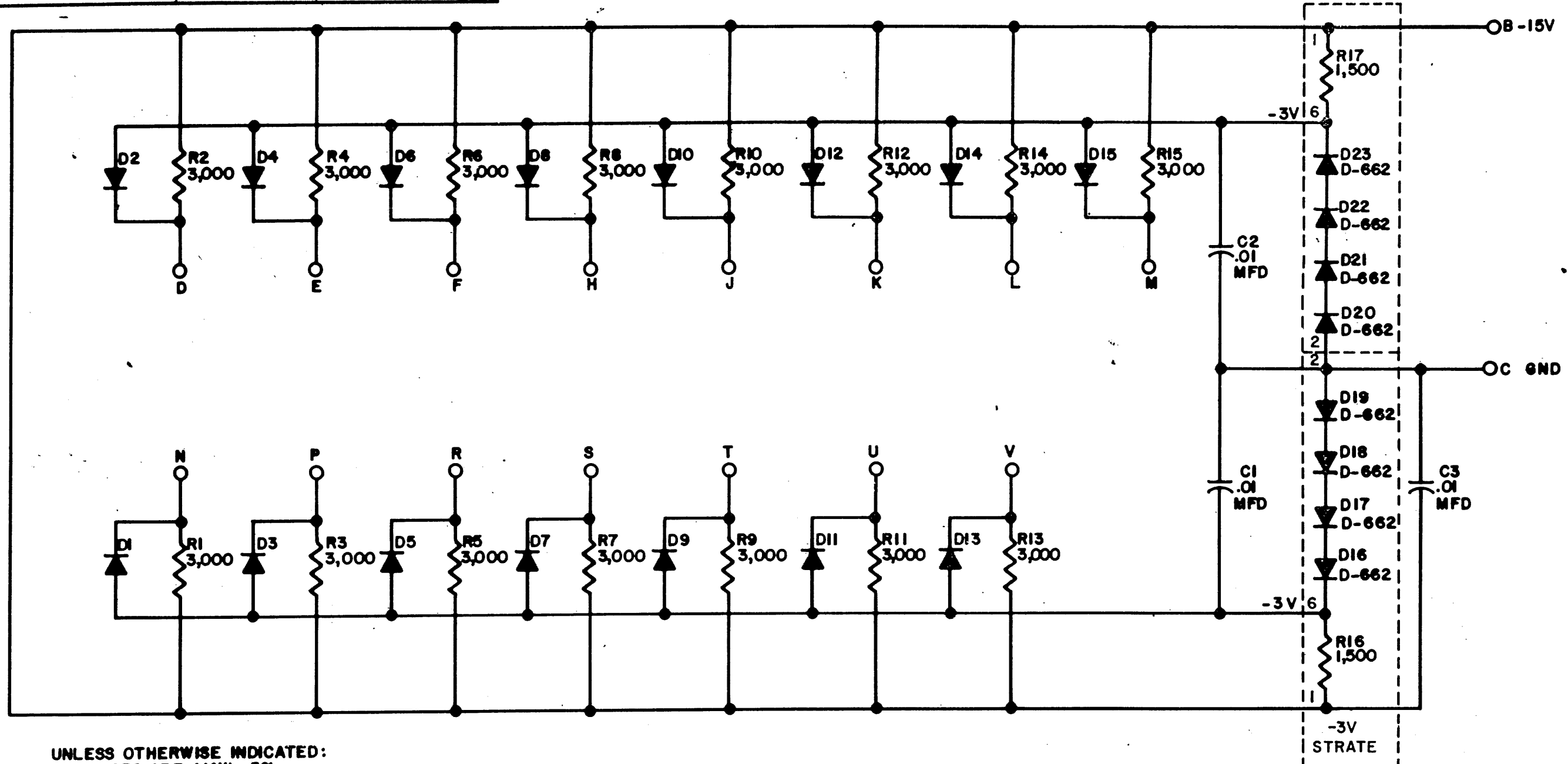
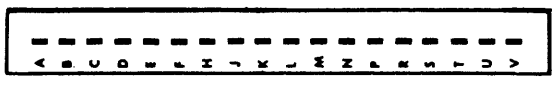




THIS SCHEMATIC IS FURNISHED ONLY FOR TEST AND MAINTENANCE PURPOSES. THE CIRCUITS ARE PROPRIETARY IN NATURE AND SHOULD BE TREATED ACCORDINGLY. COPYRIGHT 1964 BY DIGITAL EQUIPMENT CORPORATION



UNLESS OTHERWISE INDICATED:
RESISTORS ARE 1/4W, 5%
DIODES ARE D-664



REVISIONS CHK CHG NO. REV. DAW 5037 1 REV. & REDR. APR 5397 B	DRN. H. PORTER	DATE 4-27-64	TRANSISTOR & DIODE CONVERSION CHART				 EQUIPMENT CORPORATION MAYNARD, MASSACHUSETTS	TITLE CLAMPED LOADS W005			
	CHK'D N. PERRYMAN	DATE 5-4-64	DEC	EIA	DEC	EIA		SIZE	CODE	NUMBER	REV.
	ENG. B. SCUDNEY	DATE 5-4-64	D662	IN645				B	CS	W005-0-1	B
	PROD.	DATE	D664	IN3606				PRINTED CIRCUIT REV. B			

