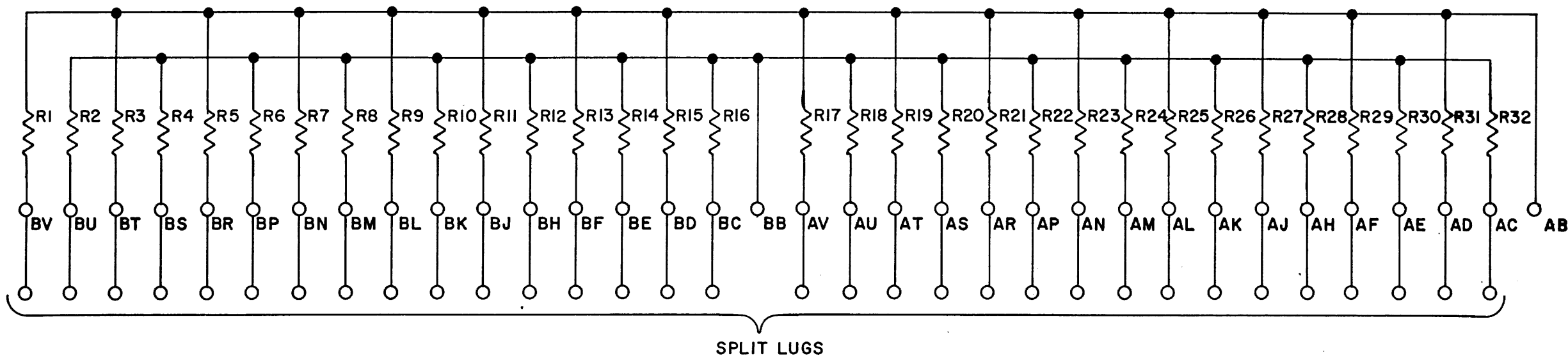


THIS SCHEMATIC IS FURNISHED ONLY FOR TEST AND MAINTENANCE PURPOSES. THE CIRCUITS ARE PROPRIETARY IN NATURE AND SHOULD BE TREATED ACCORDINGLY. COPYRIGHT 1966 BY DIGITAL EQUIPMENT CORPORATION



UNLESS OTHERWISE INDICATED:
RESISTORS ARE 470; 1W 5%



PARTS LIST IS A-PL-W017-0-0

REVISIONS CHK CHG NO. REV. 00001 A	DRN <i>[Signature]</i>	DATE 8-22-66	TRANSISTOR & DIODE CONVERSION CHART				digital EQUIPMENT CORPORATION MAYNARD, MASSACHUSETTS	TITLE WORD DRIVE STACK CONNECTOR W017			REV. A
	CHK'D <i>[Signature]</i>	DATE 9-1-66	DEC	EIA	DEC	EIA		SIZE B	CODE CS	NUMBER W017-0-1	
	ENG. Tom Hughes	DATE 8/31/66						PRINTED CIRCUIT REV.			
	PROD.	DATE						A	B		