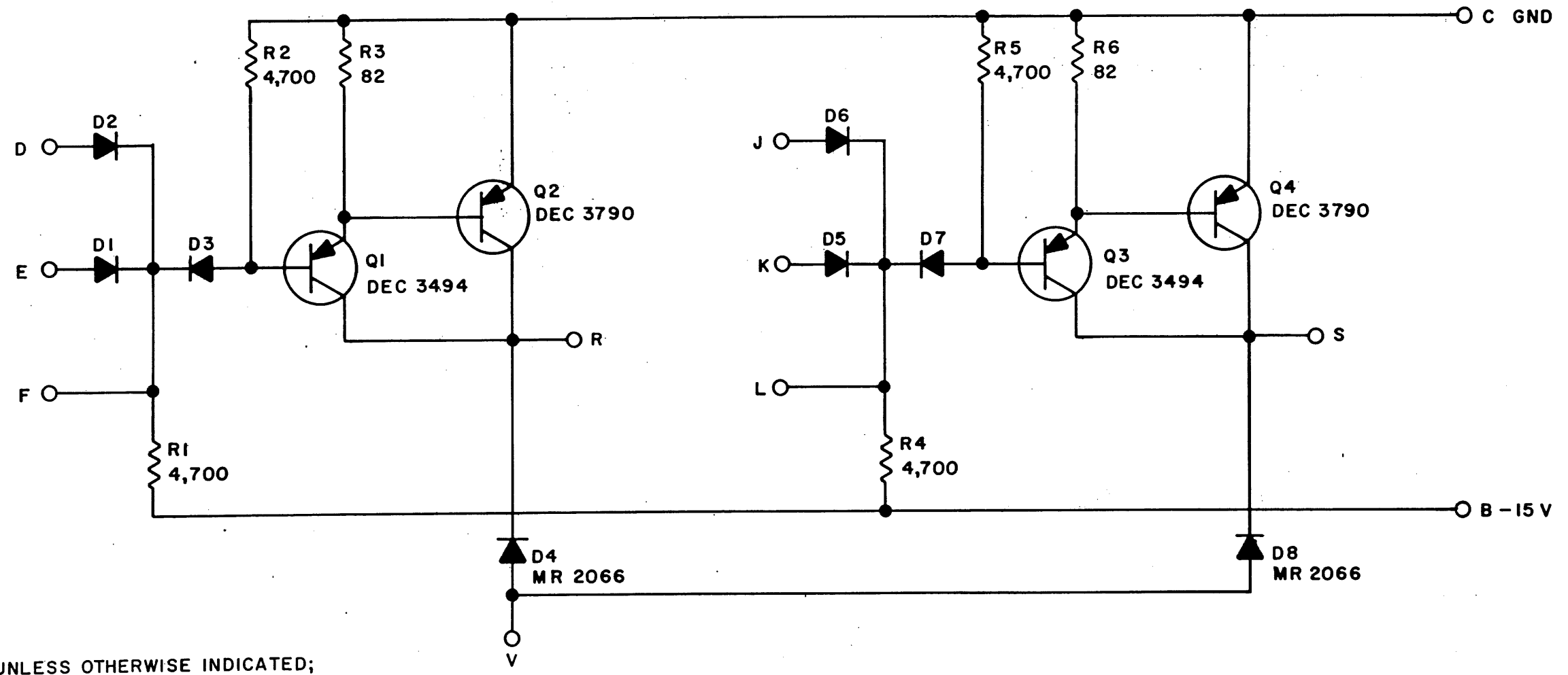


CS-B-W040-2



UNLESS OTHERWISE INDICATED;
RESISTORS ARE 1/4W, 10%
DIODES ARE D-664

A B C D E F G H I J K L M N O P Q R S T U V W X Y Z

ECO. NO. REVISIONS REDRAWN AND REVISED 5190-2 2/66	DRAFTSMAN A. OUELLETTE DATE 7-28-64	CHECKER N. PERRYMAN DATE	digital EQUIPMENT CORPORATION MAYNARD, MASSACHUSETTS	CODE CS	DWG. NO. B-W040	REV. 2
	ENGINEER R. BANK DATE 7-29-64	PRODUCTION DATE 1		TITLE SOLENOID DRIVER W040		