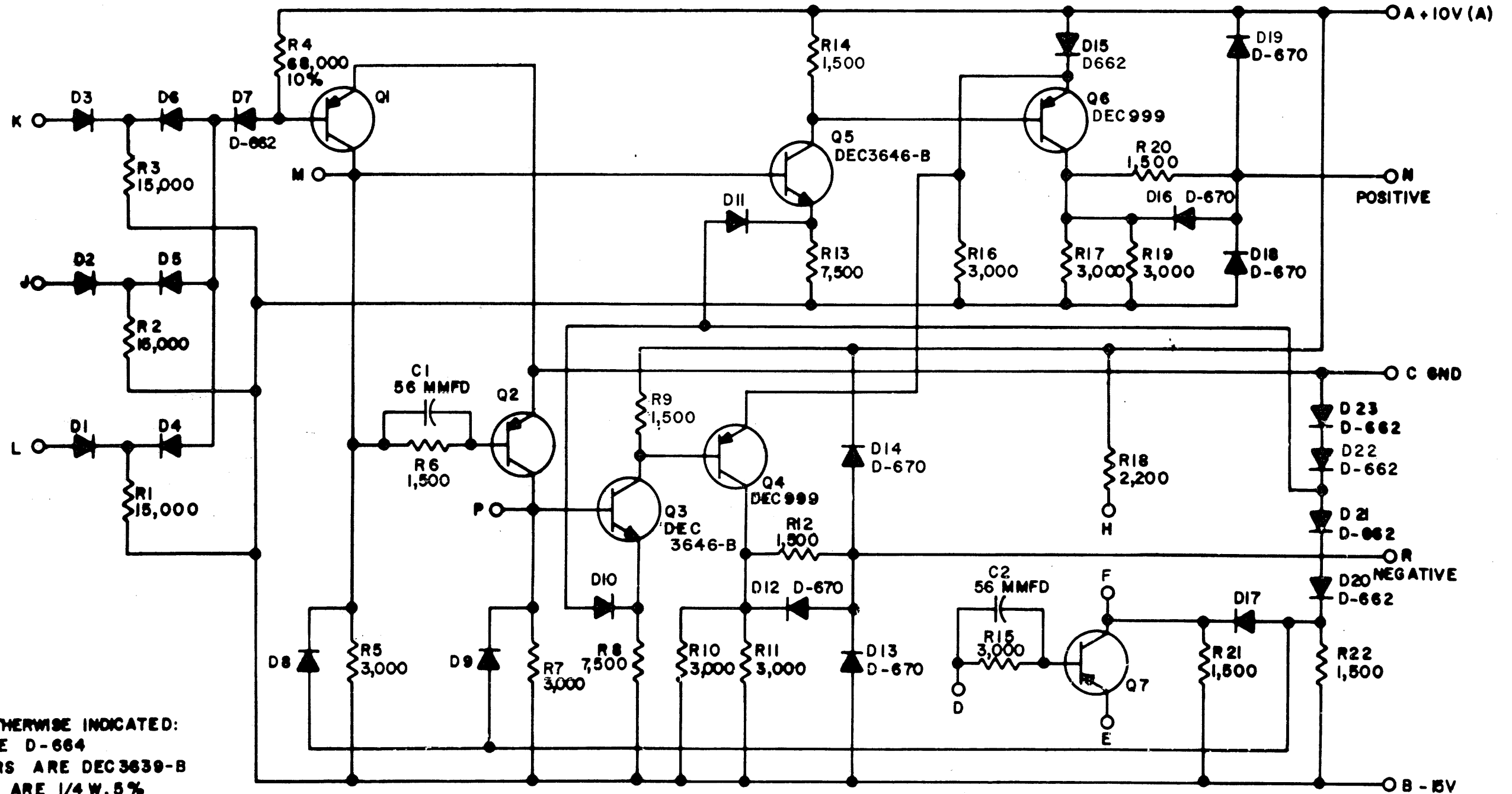


THIS SCHEMATIC IS FURNISHED ONLY FOR TEST AND MAINTENANCE PURPOSES. THE CIRCUITS ARE PROPRIETARY IN NATURE AND SHOULD BE TREATED ACCORDINGLY. COPYRIGHT 1965 BY DIGITAL EQUIPMENT CORPORATION



UNLESS OTHERWISE INDICATED:
 DIODES ARE D-664
 TRANSISTORS ARE DEC3639-B
 RESISTORS ARE 1/4 W, 5%

PARTS LIST A-PL-W681-0-0

REV. NO.	CHK	CHG NO.	REV.
2	DAW	5370	
C	REV	5441	
D		5586	
E		5652	
F		5829	
H		7110	

DRN. I. HAHN	DATE 4-16-65
CHK'D R. SILVERMAN	DATE 4-21-65
ENG. R. SOGGE	DATE 4-20-65
PROD.	DATE

TRANSISTOR & DIODE CONVERSION CHART			
DEC	EIA	DEC	EIA
DEC3639-B	2N3639-B	D 670	IN3653
DEC999	MM999		
DEC3646-B	NONE		
D 662	IN645		
D 664	IN3606		

digital
 EQUIPMENT CORPORATION
 MAYNARD, MASSACHUSETTS

TITLE		SCOPE INTENSIFIER W681	
SIZE	CODE	NUMBER	REV.
B	CS	W681-0-1	H
PRINTED CIRCUIT REV.			A