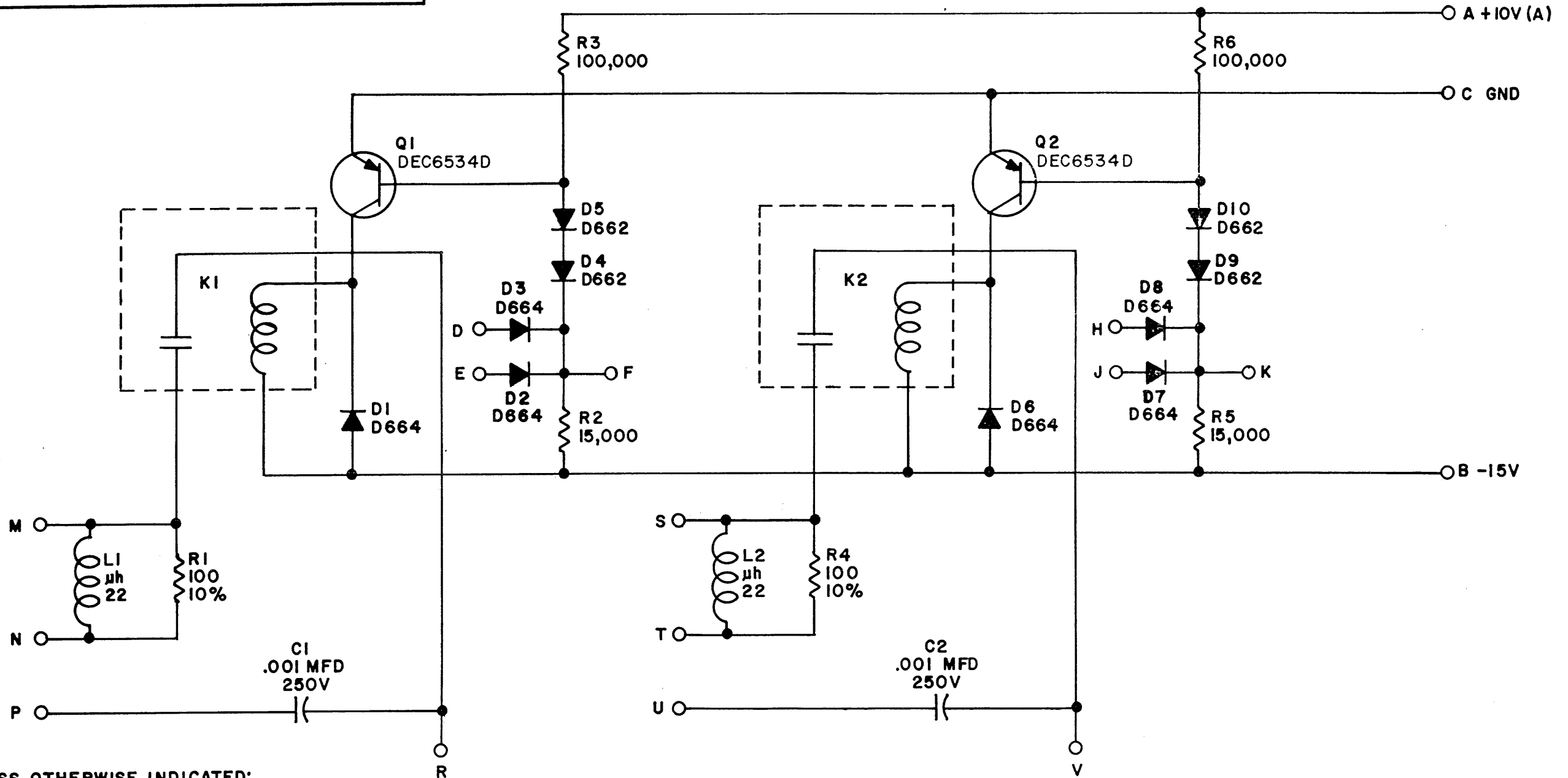
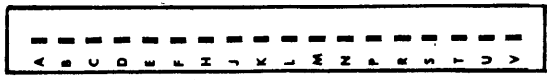


THIS SCHEMATIC IS FURNISHED ONLY FOR TEST AND MAINTENANCE PURPOSES. THE CIRCUITS ARE PROPRIETARY IN NATURE AND SHOULD BE TREATED ACCORDINGLY. COPYRIGHT 1965 BY DIGITAL EQUIPMENT CORPORATION



UNLESS OTHERWISE INDICATED:
 RESISTORS ARE 1/4W, 5%
 K1 & K2 ARE WHEELLOCK, 262-2A-XI, 12V DC
 L1 & L2 ARE ESSEX, RFC-L, 10%



PARTS LIST A-PL-W800-0-0

REVISIONS	CHK CHG NO. REV.	DRN.	DATE	TRANSISTOR & DIODE CONVERSION CHART				TITLE			
	DAW 4612 2	H.W. PORTER	1-14-65	DEC	EIA	DEC	EIA		RELAY W800		
REV. & REDR.	6405 C	CHK'D	DATE	DEC6534D	MPS6534	digital		SIZE	CODE	NUMBER	REV.
7028 D		N. PERRYMAN	1-15-65	D662	IN645	EQUIPMENT CORPORATION		B	CS	W800-0-1	D
		ENG.	DATE	D664	IN3606	MAYNARD, MASSACHUSETTS		PRINTED CIRCUIT REV. B			
		D.A. WHITE	1-15-65								
		PROD.	DATE								