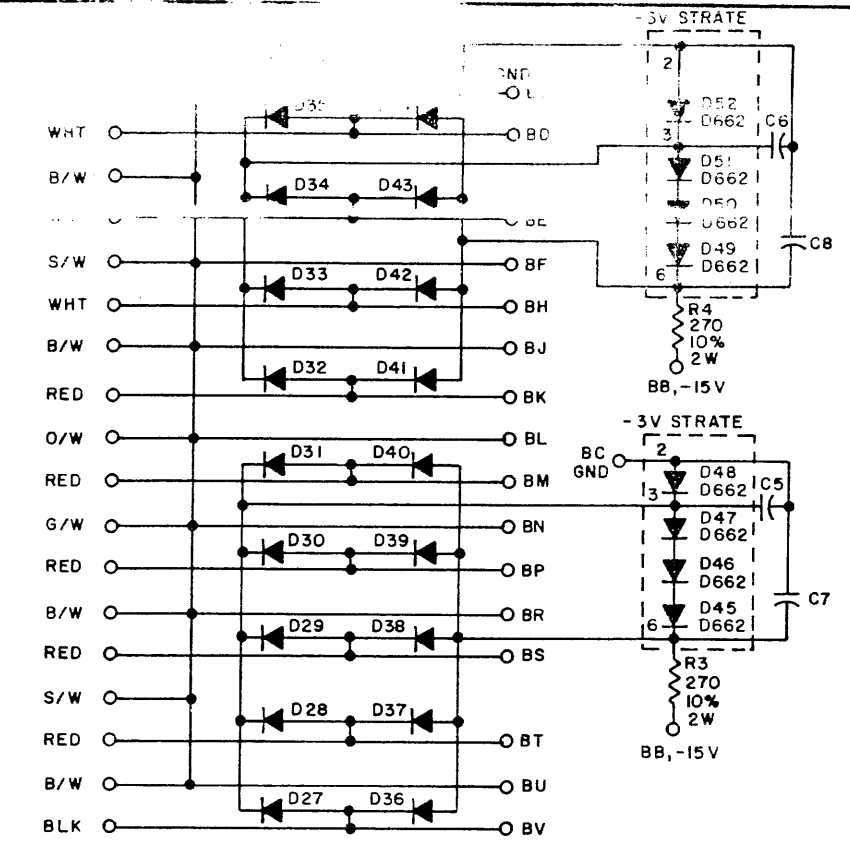
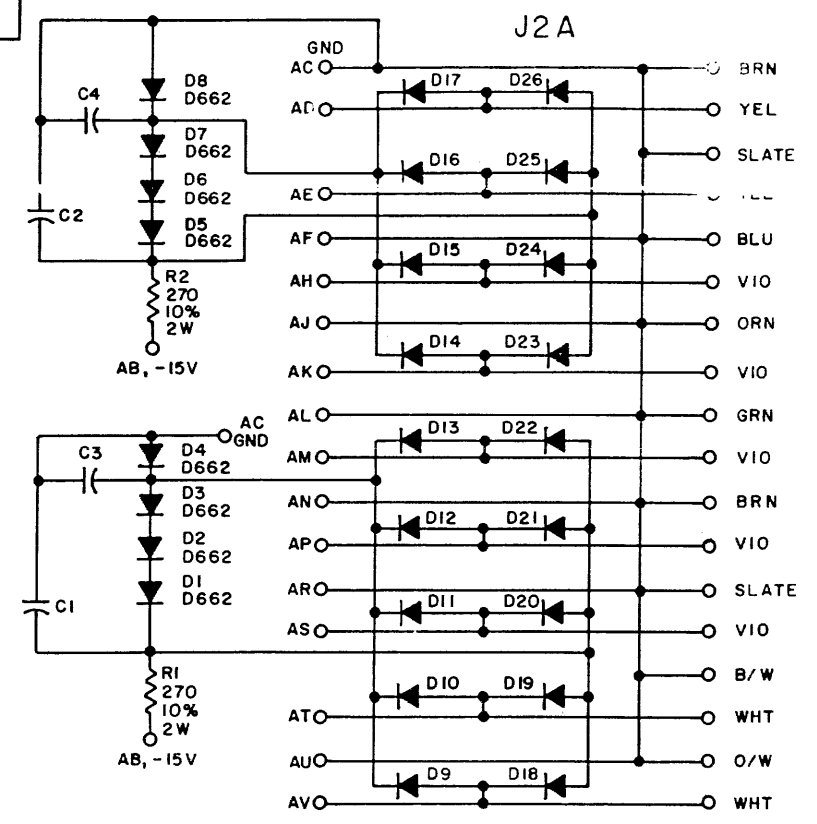
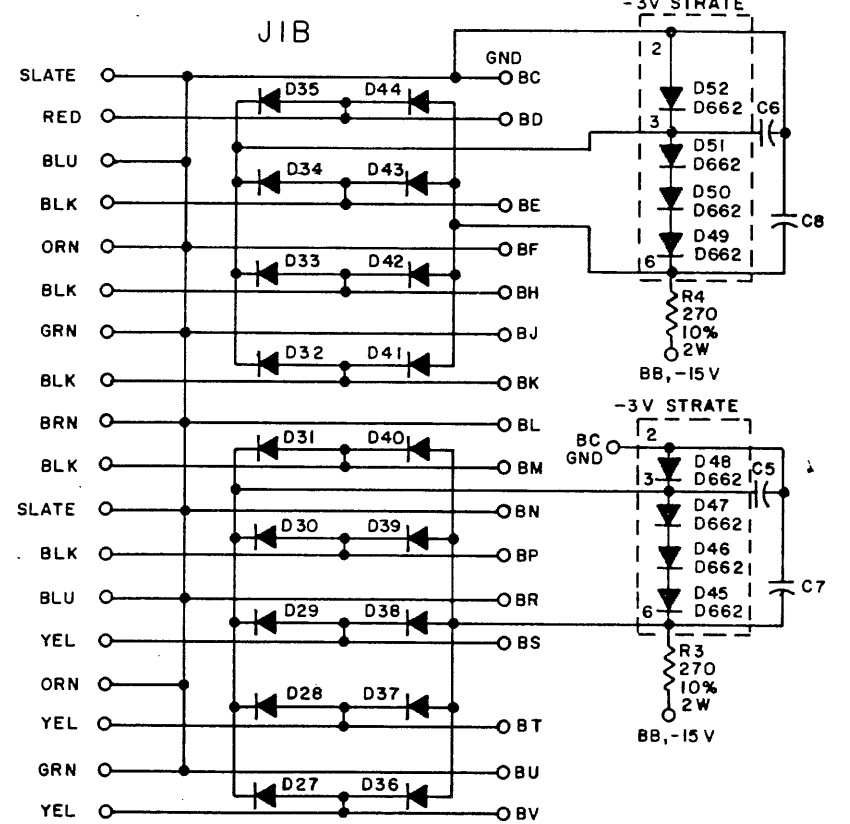
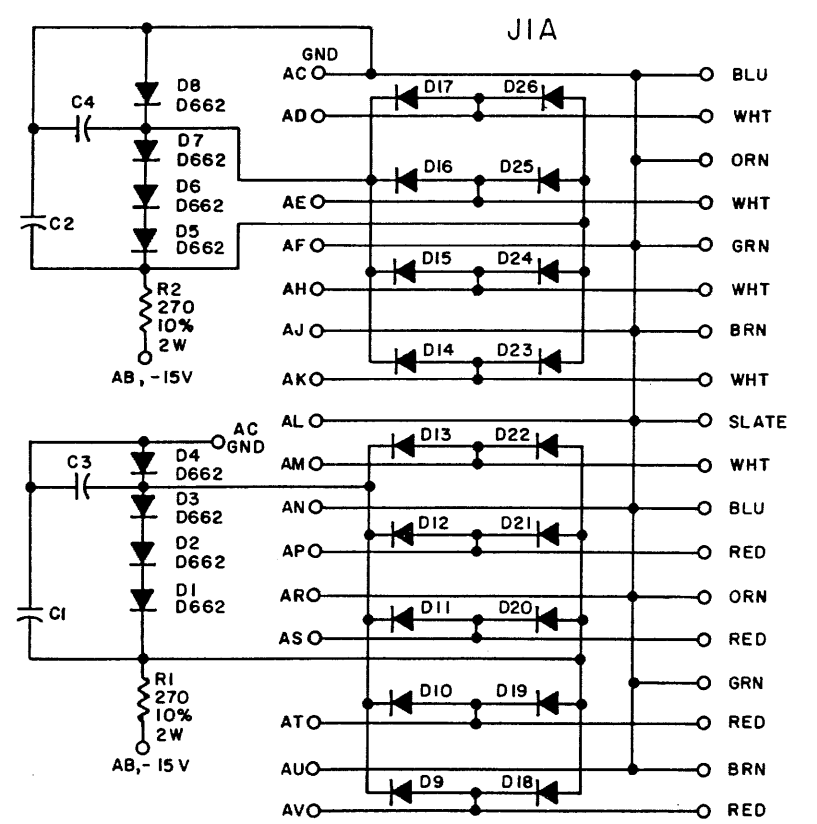


THIS SCHEMATIC IS FURNISHED ONLY FOR TEST AND MAINTENANCE PURPOSES. THE CIRCUITS ARE PROPRIETARY IN NATURE AND SHOULD BE TREATED ACCORDINGLY. COPYRIGHT 1966 BY DIGITAL EQUIPMENT CORPORATION



J2



J1

UNLESS OTHERWISE INDICATED:
DIODES ARE D664
CAPACITORS ARE .01 MFD, 100V, 20%

REV.	CHG. NO.	REV.	DATE
1	5906	A	11-4-66
2	00001	D	11-4-66

DEC FORM NO. DRC 102

OR.	DATE
M. Waller	11-2-66
CHK'D R. SILVERMAN	11-4-66
ENG. R. CAJOLET	11-4-66
PROD.	DATE

TRANSISTOR & DIODE CONVERSION CHART			
DEC		EIA	
D662		1N645	
D664		1N3606	

digital
EQUIPMENT CORPORATION
MAYNARD, MASSACHUSETTS

TITLE			
I. O. CONNECTOR W850			
SIZE	CODE	NUMBER	REV.
C	CS	W850-0-1	D
PRINTED CIRCUIT REV.			
C	D		

REV. NUMBER
D
C CS W850-0-1