

Distinctive Characteristics

International certifications from UL, CSA, VDE, SEMKO, and SEV.

Contacts of special silver alloy resist arcing and guarantee stable electrical contact and long life.

Stainless steel frame resists corrosion and increases environmental safety.

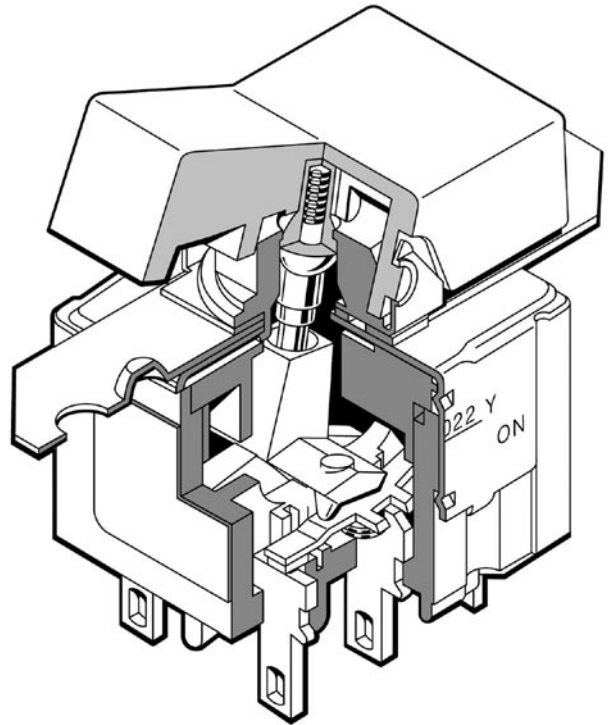
High insulating barriers increase isolation of circuits in double pole devices and provide added protection to contact points.

Case/base of heat resistant resin meets UL94V-0 flammability standard.

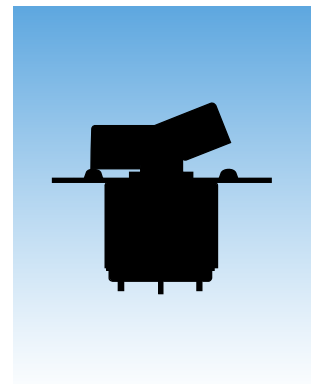
Prominent external insulating barriers increase insulation resistance and dielectric strength.

Clinching of the frame to the case well above the base and terminals provides 4,000V dielectric strength.

Epoxy sealed terminals prevent entry of flux, solvents, and other contaminants.



Actual Size



General Specifications

Electrical Capacity

Resistive Load:	10A @ 125V AC or 6A @ 250V AC
Motor Load:	400W @ 125V AC
Lamp Load:	2A @ 125V AC for On-Off-On circuit & 3A @ 125V AC for other circuits

Other Ratings

Contact Resistance:	10 milliohms maximum
Insulation Resistance:	1,000 megohms minimum @ 500V DC
Dielectric Strength:	2,000V AC minimum between contacts for 1 minute minimum; 4,000V AC minimum between contacts & case for 1 minute minimum
Mechanical Life:	50,000 operations minimum
Electrical Life:	25,000 operations minimum
Angle of Throw:	25°

Materials & Finishes

Frame:	Stainless steel
Case/Base:	Diallyl phthalate resin (UL94V-0)
Movable Contacts:	Silver alloy with silver plating
Stationary Contacts:	Pure silver with silver plating
Terminals:	Copper with silver plating

Environmental Data

Operating Temp Range:	-10°C through +85°C (+14°F through +185°F)
Humidity:	90 ~ 95% humidity for 96 hours @ 40°C (104°F)
Vibration:	10 ~ 55Hz with peak-to-peak amplitude of 1.5mm traversing the frequency range & returning in 1 minute; 3 right angled directions for 2 hours
Shock:	50G (490m/s ²) acceleration (tested in 6 right angled directions, with 5 shocks in each direction)

Installation

Soldering Time & Temp:	4 seconds maximum @ 410°C maximum for manual soldering. Wave Solder (Straight PC): See Profile A in Supplement section. Note: Find additional processing data in Supplement section.
-----------------------------------	--

Standards & Certifications

Flammability Standards: UL94V-0 rated case/base



UL Recognized: All models recognized at 10A @ 125V AC & 6A @ 250V AC; UL File No. WOYR2.E44145.



C-UL Recognized: All models recognized at 10A @ 125V AC & 6A @ 250V AC; C-UL File No. WOYR8.E44145.



CSA Certified: Single pole models certified at 10A @ 125V AC & 6A @ 250V AC; CSA File No. 023535-0-000.



VDE Approved: All models approved at 10A @ 125V AC & 6A @ 250V AC; VDE License No. 119174.
Marking on switch is standard.

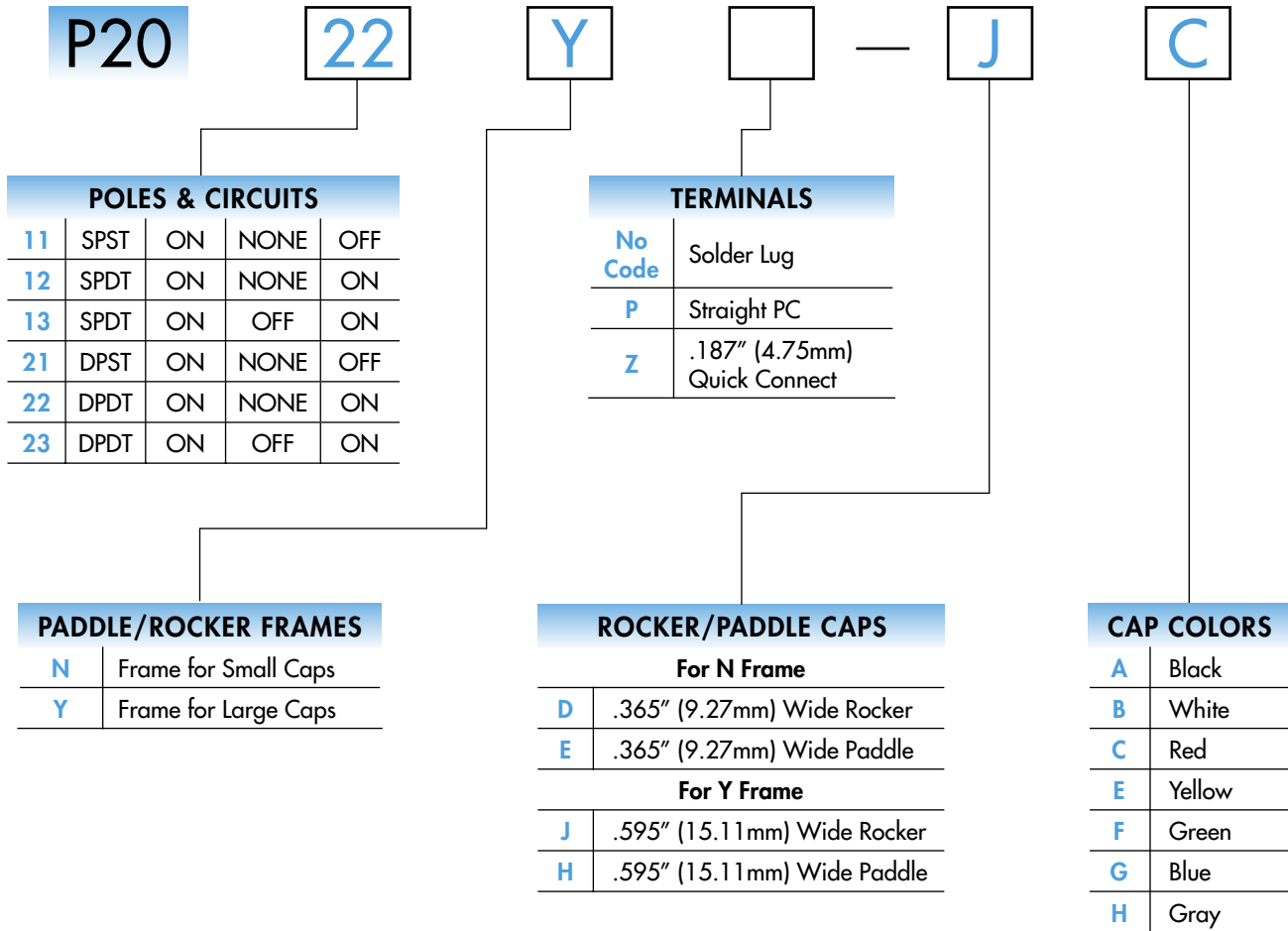


SEMKO Approved: P2011Y, P2012Y, P2013Y, P2021Y, P2022Y models approved at 10A @ 125V AC & 6A @ 125/250V AC; Reference No. 9915205/01-02. Marking on switch is standard.



SEV Approved: All models with quick connect terminals approved at 10A @ 125V AC & 6A @ 250V AC; (P2013 only for micro-switch off); Authorization No. 02.0466. Marking on switch is standard.

TYPICAL SWITCH ORDERING EXAMPLE



IMPORTANT:



VDE, SEMKO & SEV are marked on approved models. Switches are supplied without UL, C-UL & CSA marking unless specified. Specific models & ratings noted on General Specifications page.

DESCRIPTION FOR TYPICAL ORDERING EXAMPLE

P2022Y-JC

.595" (15.11mm) Wide Red Rocker

DPDT ON-NONE-ON Circuit



Frame for Large Caps

Solder Lug Terminals

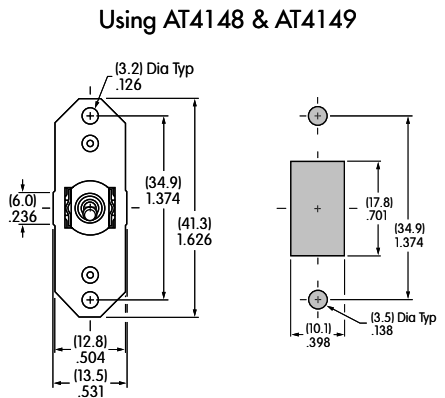
POLES & CIRCUITS

Pole	Model	Rocker Position			Connected Terminals			Throw & Schematics
		Down	Center	Up	Down	Center	Up	
SP	P2011	ON	NONE	OFF	1-1b	OPEN	OPEN	SPST Note: Terminal numbers are on the switch.
SP	P2012 P2013	ON ON	NONE OFF	ON ON	1-1b	OPEN	1-1a	SPDT
DP	P2021	ON	NONE	OFF	1-1b 2-2b	OPEN	OPEN	DPST
DP	P2022 P2023	ON ON	NONE OFF	ON ON	1-1b 2-2b	OPEN	1-1a 2-2a	DPDT

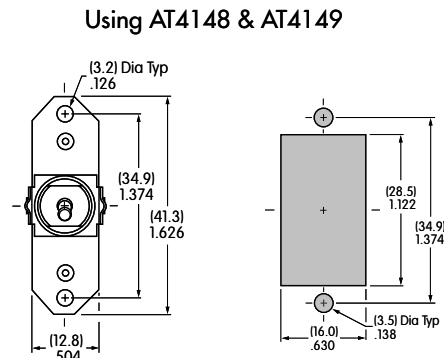
ROCKER/PADDLE FRAMES

N Frame for Small Actuator

Y Frame for Large Actuator



Maximum Panel Thickness: .126" (3.2mm)



Maximum Panel Thickness: .126" (3.2mm)

TERMINALS

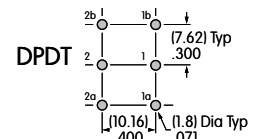
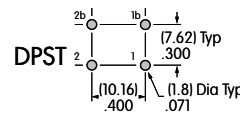
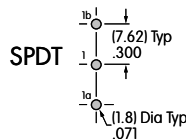
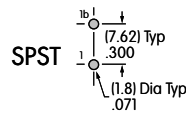
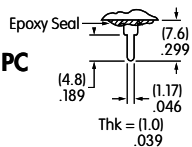
No Code Solder Lug

The .049" x .079" (1.25mm x 2.0mm) oblong hole accommodates one solid or stranded 18-gauge wire or two solid or stranded 20-gauge wires.

Z .187" (4.75mm) Quick Connect



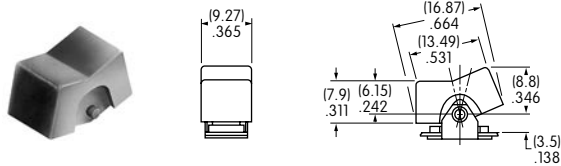
P Straight PC



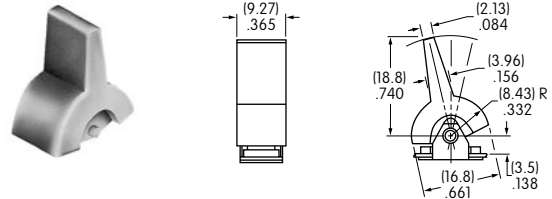
ROCKER/PADDLE CAPS

For N Frame

D AT4148
.365" (9.27mm) Wide Rocker

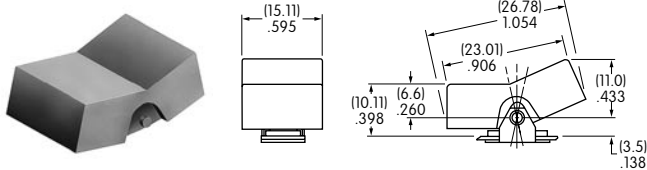


E AT4149
.365" (9.27mm) Wide Paddle

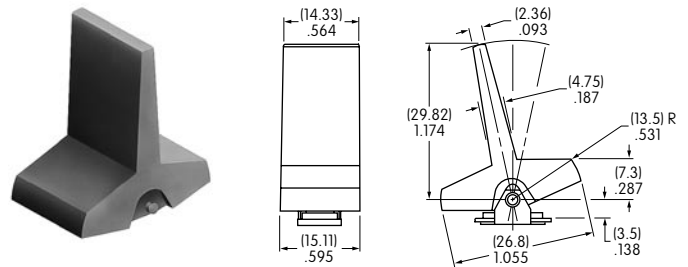


For Y Frame

J AT4156
.595" (15.11mm) Wide Rocker



H AT4157
.595" (15.11mm) Wide Paddle



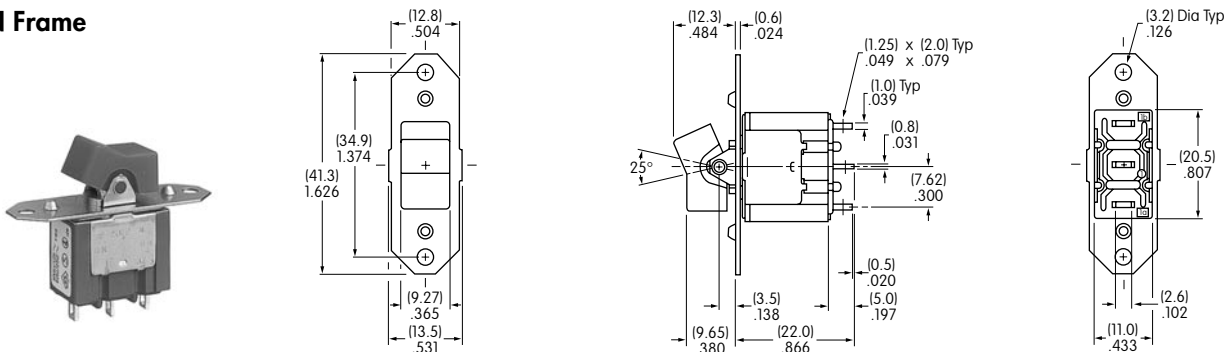
Cap Colors Available:

- A** Black **B** White **C** Red **E** Yellow **F** Green **G** Blue **H** Gray

Material: Polyamide Finish: Matte

TYPICAL SWITCH DIMENSIONS

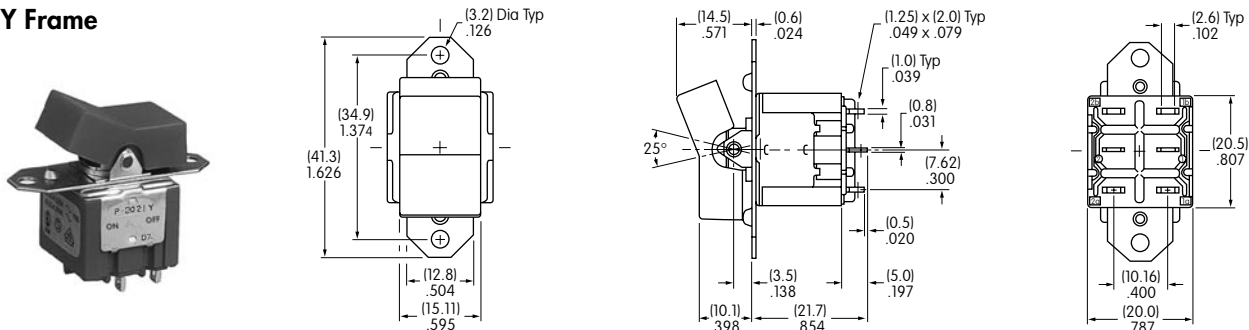
N Frame



P2012N-DC

P2011 & P2021 models do not have terminals 1a & 2a.

Y Frame



P2022Y-JC

P2011 & P2021 models do not have terminals 1a & 2a.