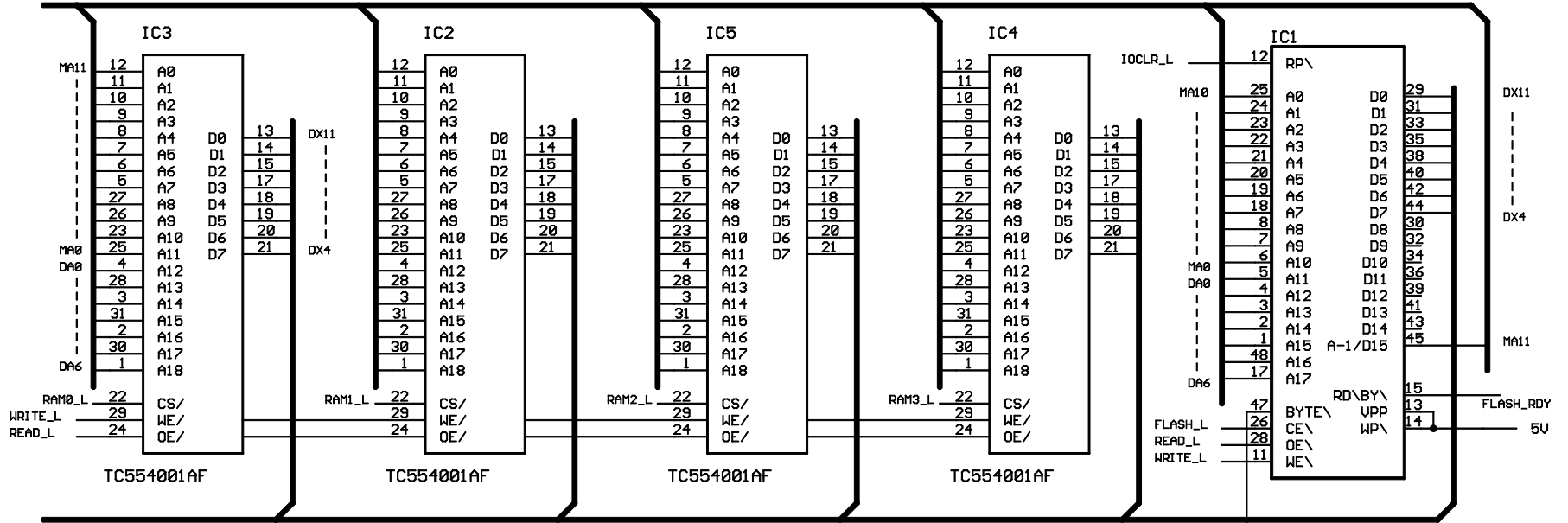
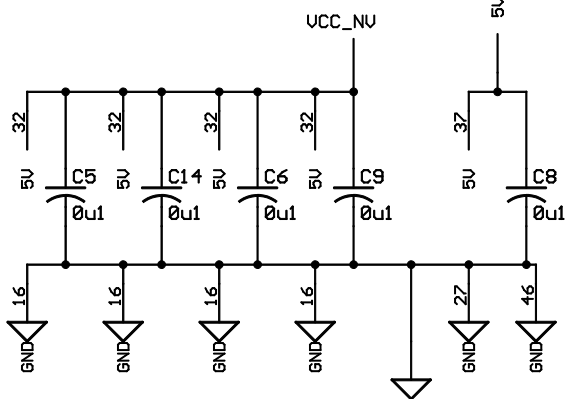


NU RAM & Flash ROM

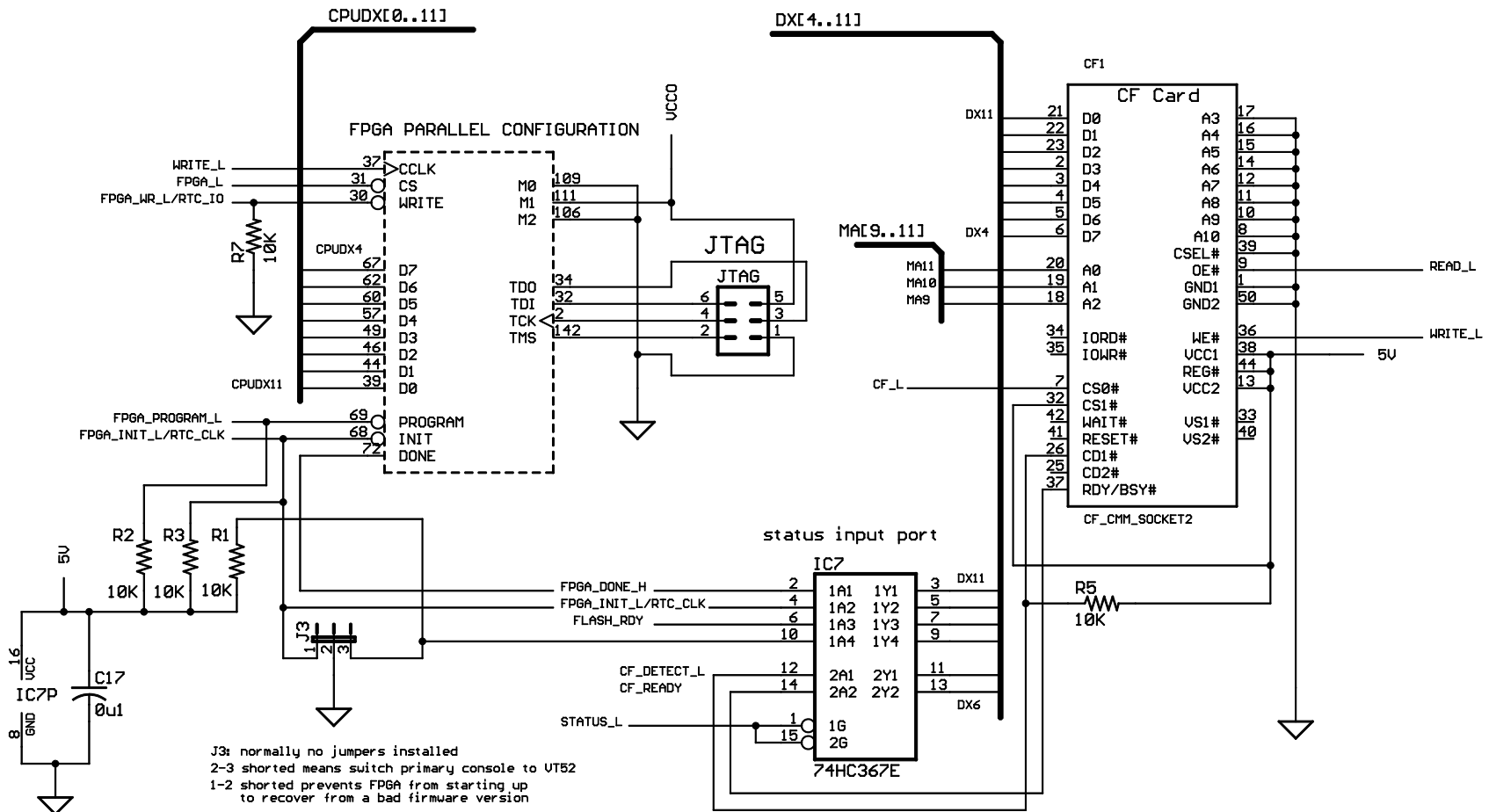
MA[0..11],EMA[0..2],DA[0..7]



DX[4..11]



Memory	
TITLE: iob6-r	
Document Number:	REV:
Date: 4/30/2003 04:08:17p	Sheet: 2/7



CompactFlash, Status Read Buffer

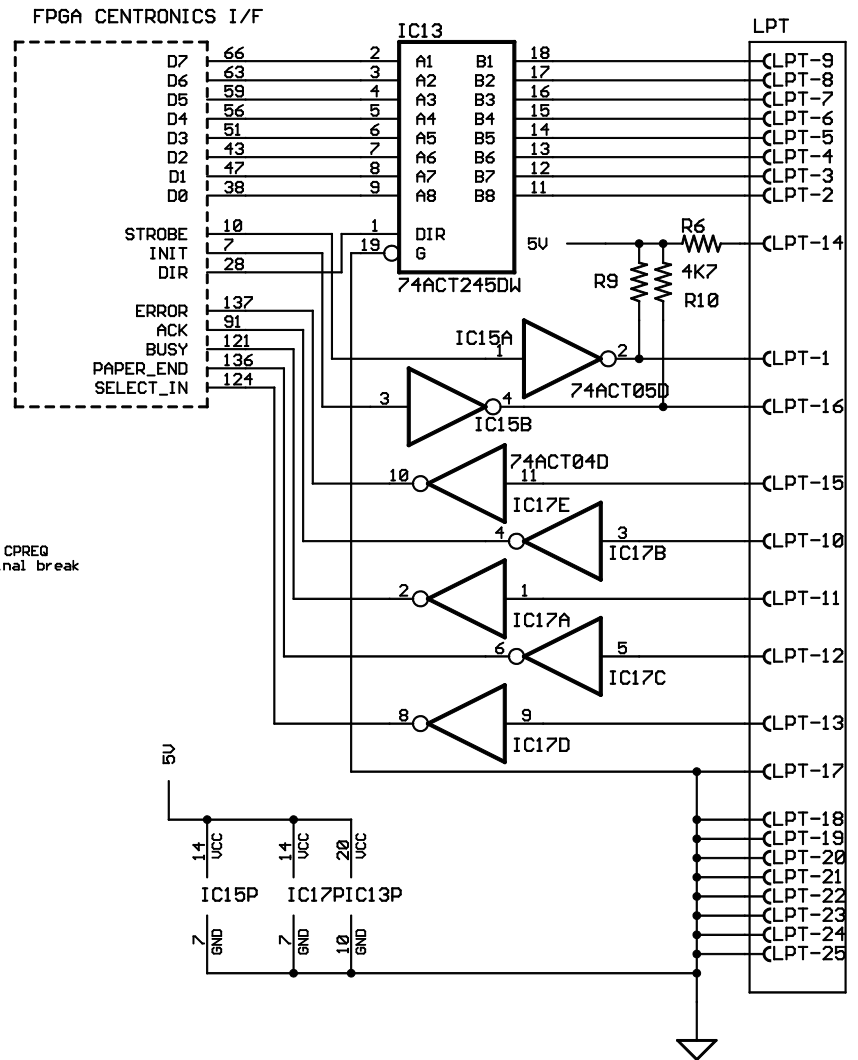
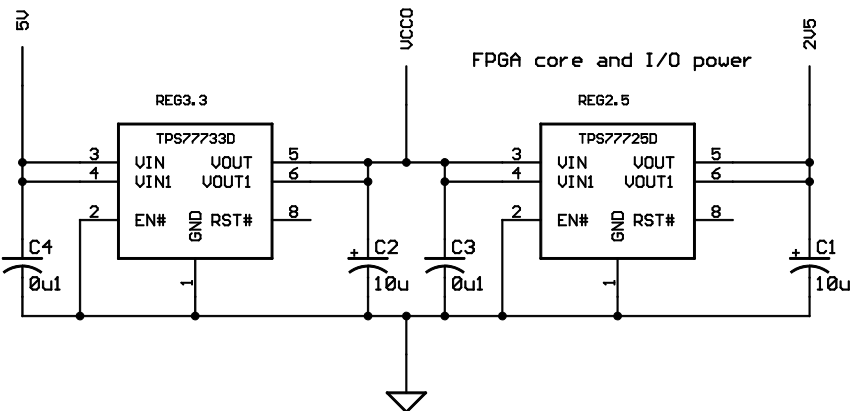
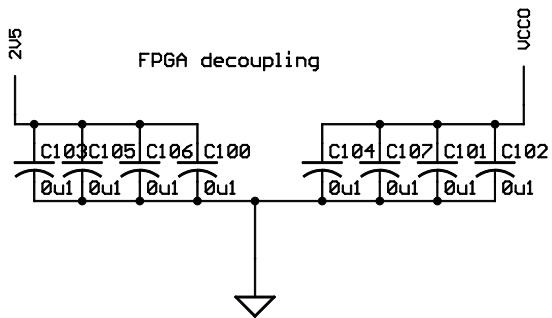
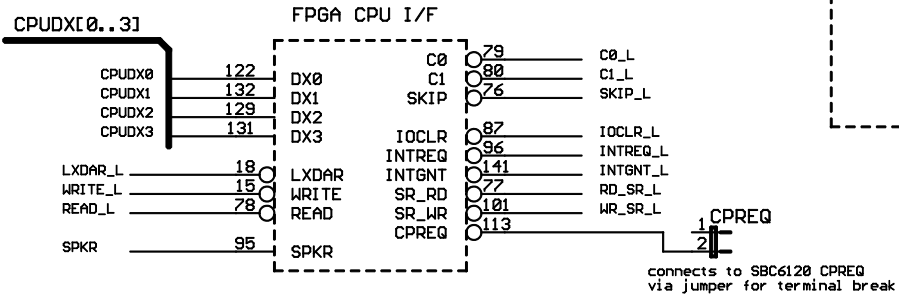
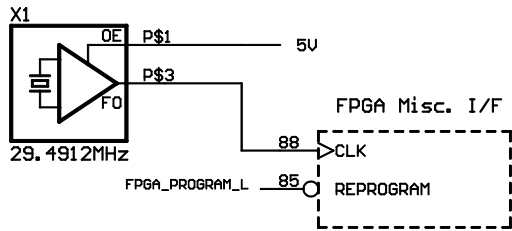
TITLE: iob6-r

Document Number:

REV:

Date: 4/30/2003 04:08:17p

Sheet: 3/7



FPGA Power, CPU interface

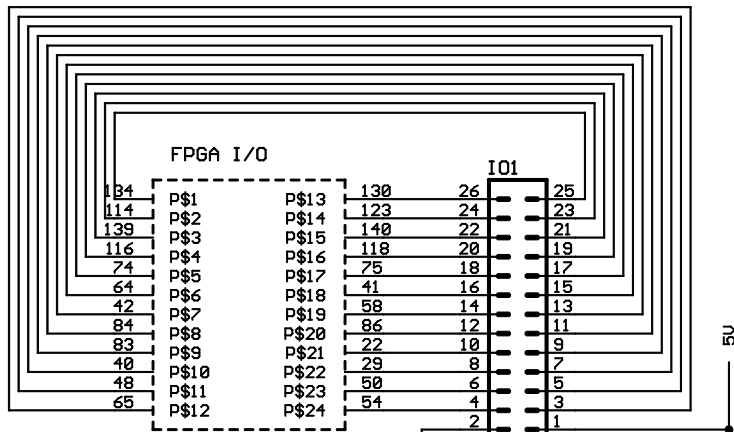
TITLE: iob6-r

Document Number:

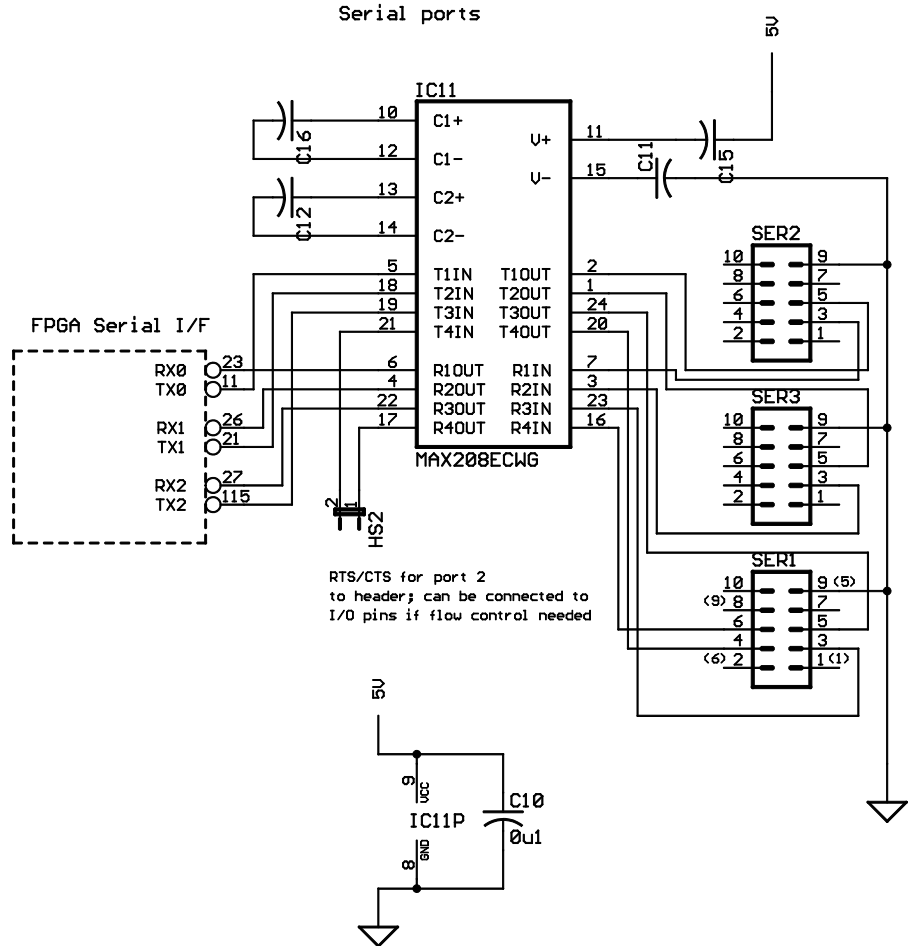
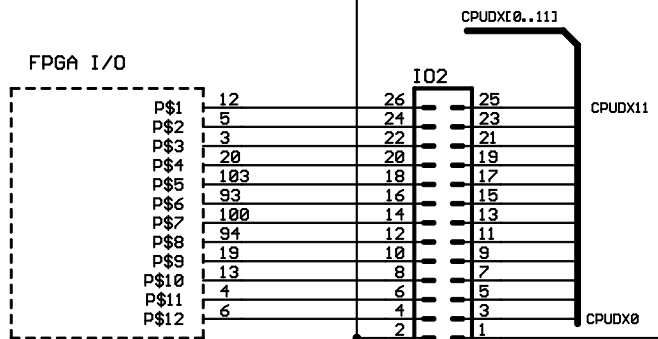
REV:

Date: 4/30/2003 04:08:17p

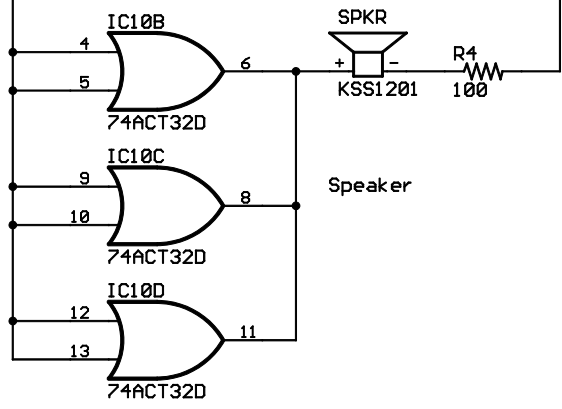
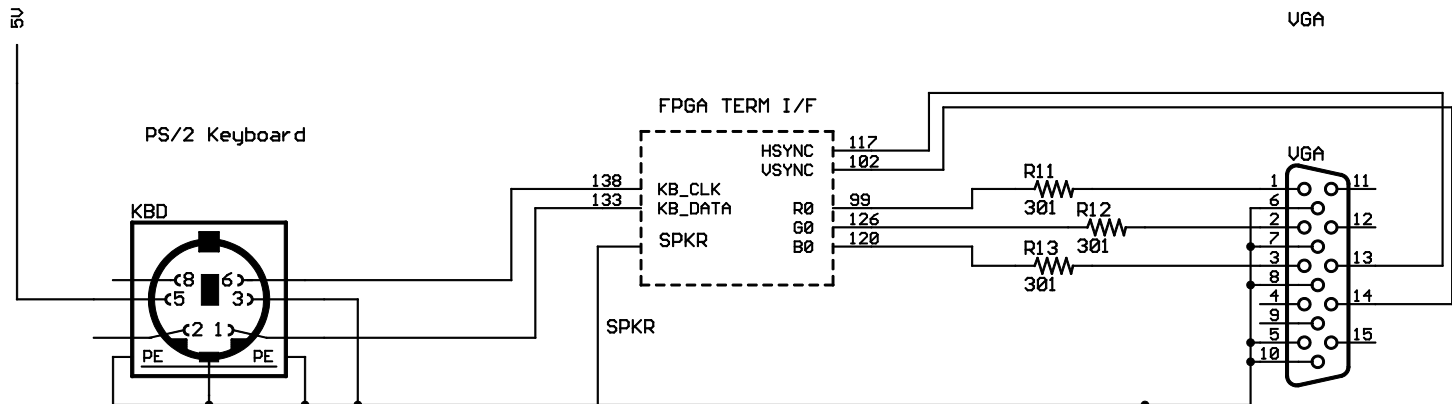
Sheet: 4/7



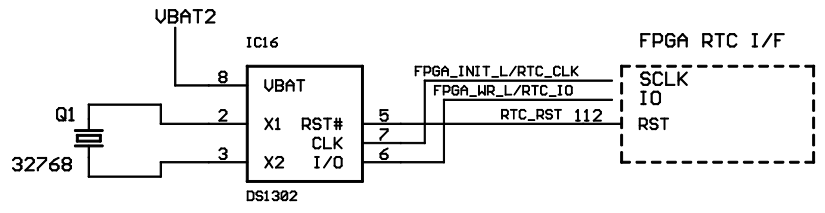
Digital I/O



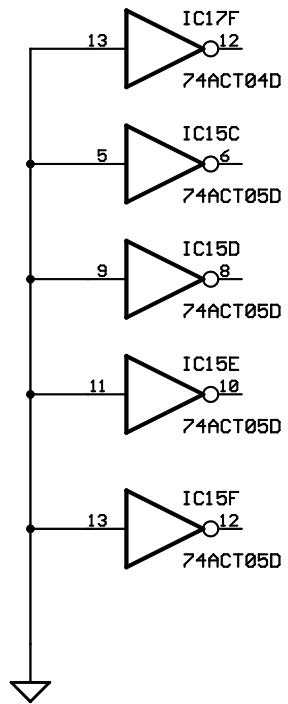
Serial ports, programmable I/O	
TITLE: iob6-r	
Document Number:	REV:
Date: 4/30/2003 04:08:17p	Sheet: 5/7



Real-time Clock (opt)



VT-52	
TITLE: iob6-r	
Document Number:	REV:
Date: 4/30/2003 04:08:17p	Sheet: 6/7



TITLE: iob6-r	
Document Number:	REV:
Date: 4/30/2003 04:08:17p	Sheet: 7/7